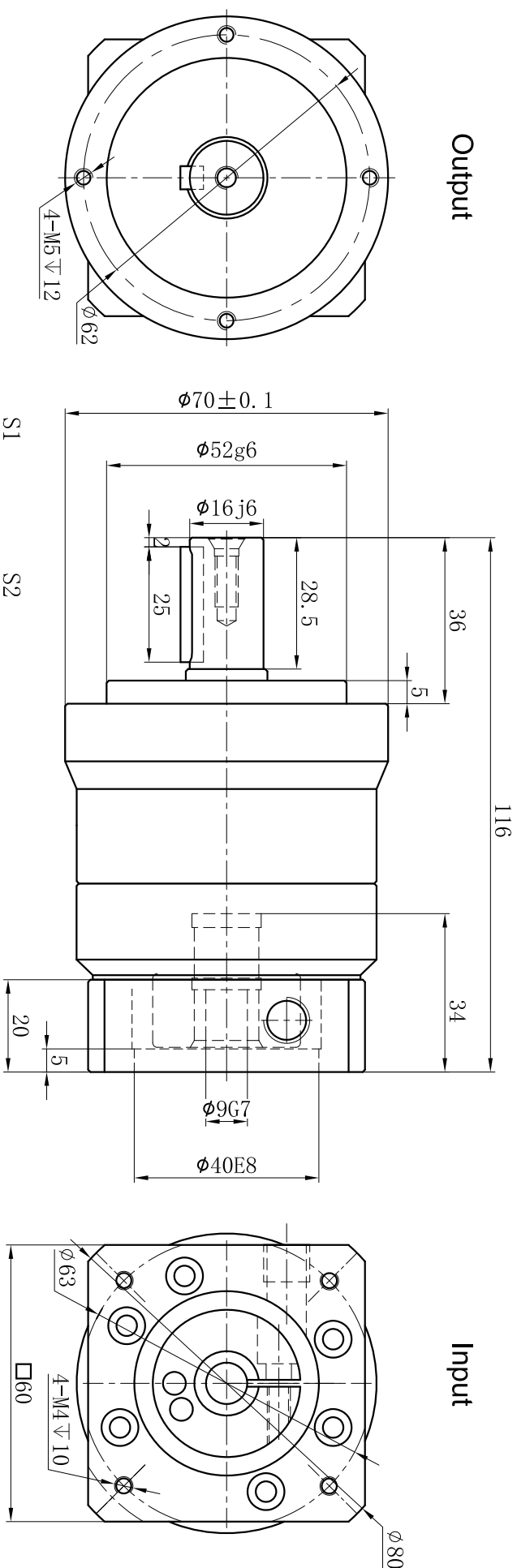


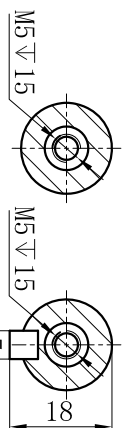
Customer Name:

Output



Input

Transmission Ratio	(A):1	Mass Moments Of Inertia	(B)Kg.cm ²
Rated Output Torque	(C)Nm	Max Output Torque	(D)Nm
Rated Input Speed	3000rpm	Max Input Speed	5000rpm
Max Radial Force	1530N	Max.axial Force	765N
Efficiency	≥ 97%	Operating Temperature	-20~+90°
Mounting Position	Any	Lubrication Method	Synthetic grease
Weight ±3%	1.3Kg	Service Life	20000h
Standard Backlash	-- arcmin	Protection Class	IP65
Motor Power	-- kW	Noise Level	58dB
Motor Dimensions			



Ratio	A	B	C	D	Ratio	A	B	C	D
3	0.16	40	72		7	0.13	45	81	
4	0.14	45	81		8	0.13	45	81	
5	0.13	55	99		10	0.13	35	63	
6	0.13	50	90						

Note									

Mark	No.	Sign	Date	Precision Planetary Reducer	TCE070

φ14 to φ9					



TCE070-L1

Shaft Type Precision

Above specifications are for standard reducer and may be subject to change without notice.