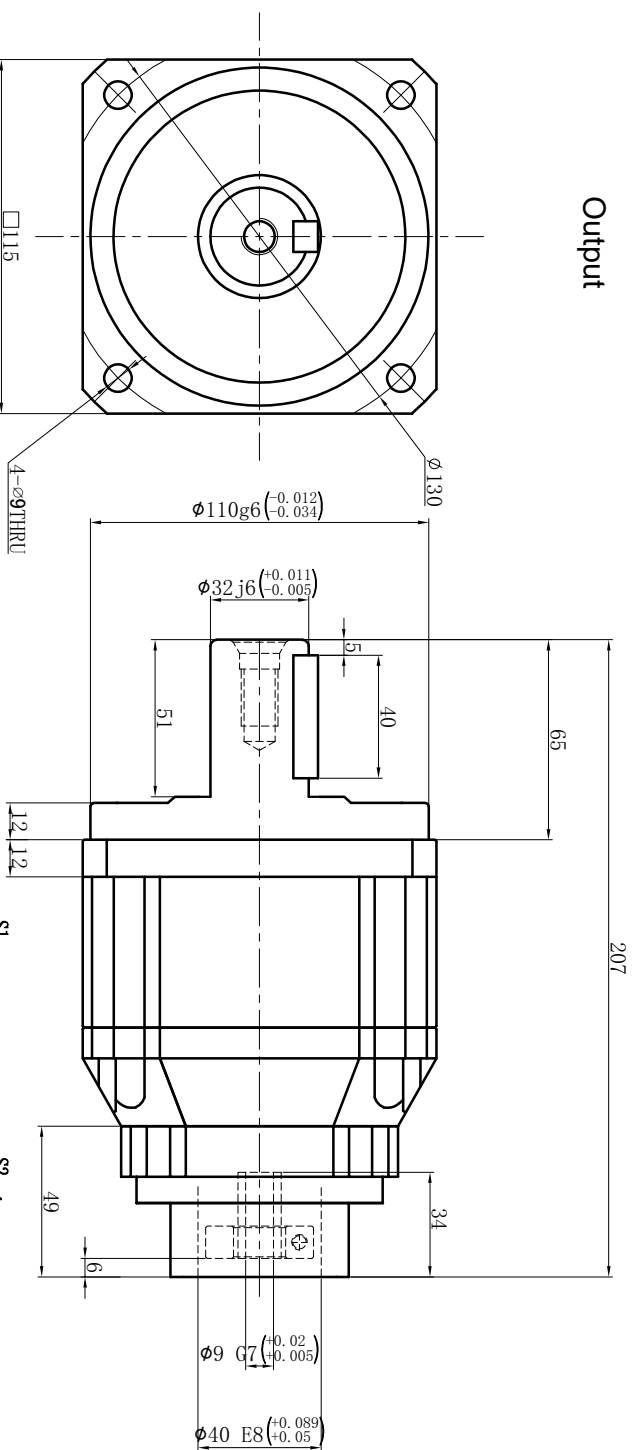
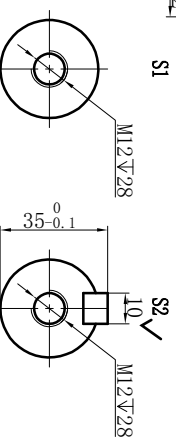
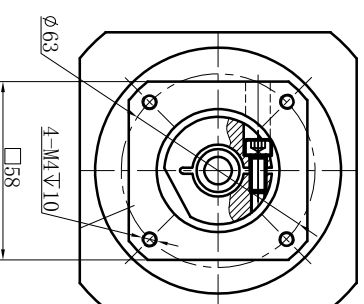


Customer name:

Output



Input



Transmission ratio	(A):1	Mass moments of inertia	(B)Kg.cm ²
Rated output torque	(C)Nm	Max:Output torque	(D)Nm
Rated input speed	4000rpm	Max input speed	8000rpm
Max.radial force	6700N	Max.axial force	3350N
Efficiency	≥ 94%	Operating temperature	-20°~+90°
Mounting position	Any	Lubrication method	Synthetic grease
Weight ±3%	9Kg	Service life	20000h
Standard backlash	≤ 5 arcmin	Protection class	IP65
Motor power		Noise level	63dB
Motor dimensions			

Ratio	A	B	C	D	Ratio	A	B	C	D
	40	0.47	260	468	✓	100	0.44	230	414
	35	0.47	300	540		80	0.44	260	468
	30	0.47	310	558		70	0.44	300	540
	25	0.47	330	594		60	0.44	310	558
	20	0.47	290	522		50	0.44	330	594
	15	0.47	208	374					

NOTE

Precision Planetary Reducer

TB115

Ø14-Ø9
Bushing

Mark	No.	Sign	Date
DRAW			
CHEC			
APPR			
RULE			



TB115-L2

Shaft Type Precision