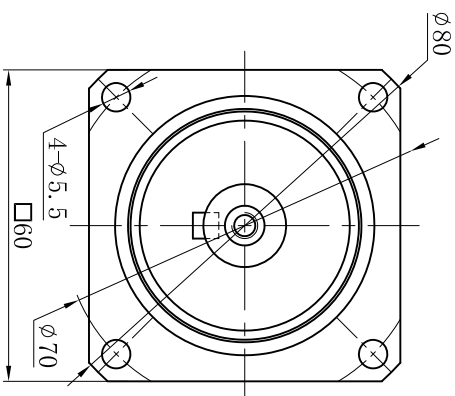
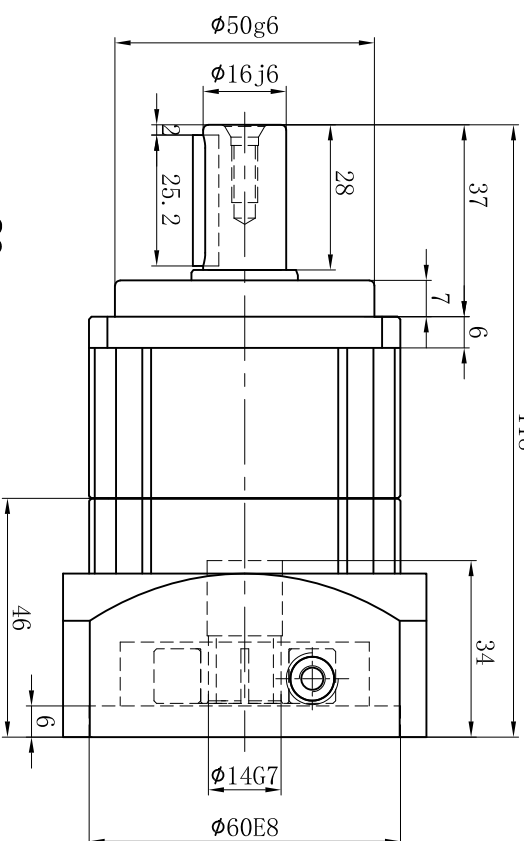


Customer Name:

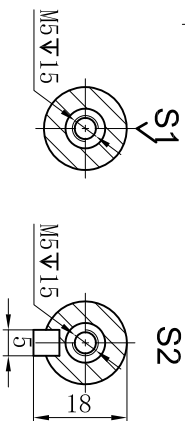
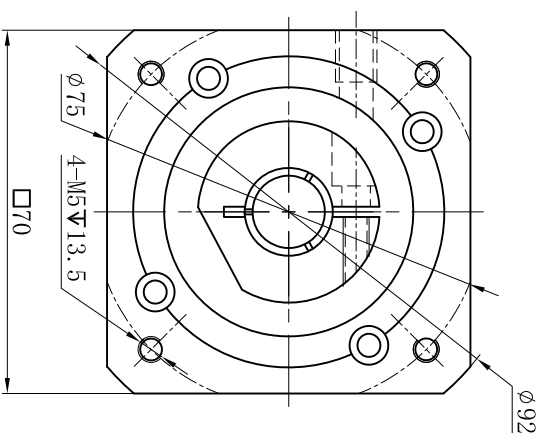
Output



118



Input



Transmission Ratio	(A):1	Mass Moments Of Inertia	(B)Kg.cm ²
Rated Output Torque	(C)Nm	Max Output Torque	(D)Nm
Rated Input Speed	5000rpm	Max Input Speed	10000rpm
Max Radial Force	1530N	Max.axial Force	765N
Efficiency	≥ 97%	Operating Temperature	-20°~+90°
Mounting Position	Any	Lubrication Method	Synthetic grease
Weight ±3%	1.3Kg	Service Life	20000h
Standard Backlash	≤ 5 arcmin	Protection Class	IP65
Motor Power	--KW	Noise Level	58dB
Motor Dimensions			

Ratio	A	B	C	D	Ratio	A	B	C	D
	10	0.13	40	72		7	0.13	50	90
	8	0.13	45	81		5	0.13	60	108
	6	0.13	55	99		3	0.16	55	99
	4	0.14	50	90					

Note

Precision Planetary Reducer

TB060

Mark	No.	Sign	Date

TB060-L1



Shaft Type Precision

Above specifications are for standard reducer and may be subject to change without notice.