

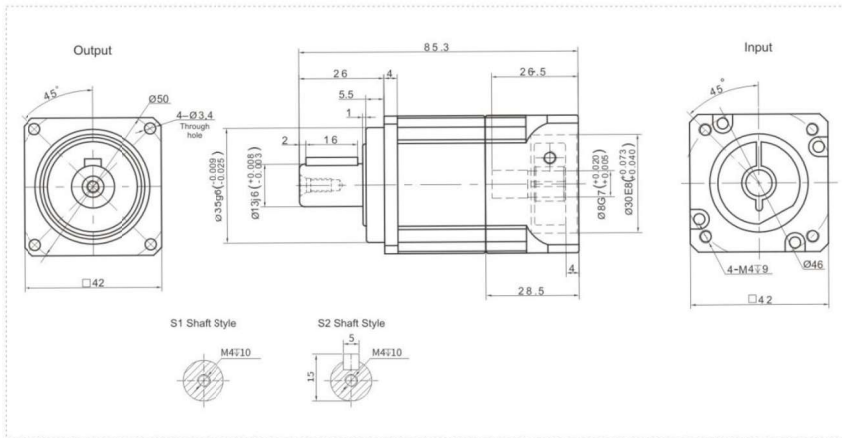
# TB Series - High Speed and Precision



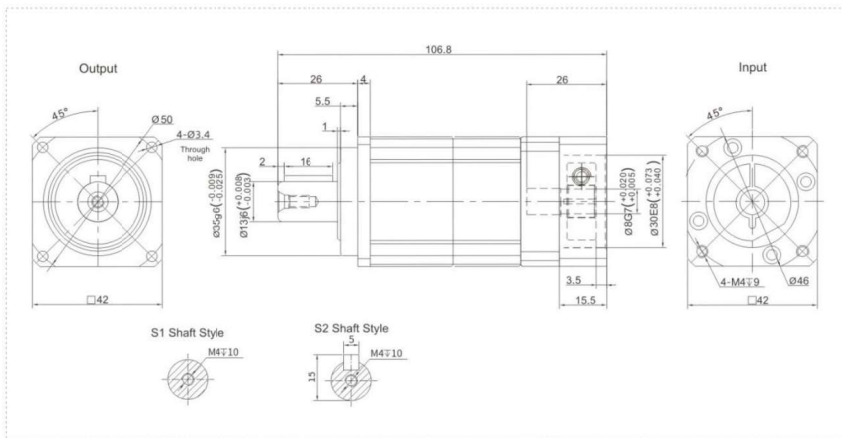
TB

## TB042 Series

TB042 One Stage



TB042 Two Stage



## Performance Data

The TB series reducer adopts a standardized flange interface. The installation is convenient and quick. Due to its integral structure design, this high-precision model can operate excellently in many demanding working application.

TB042	One Stage										Two Stage											
	Speed Ratio	i	-	4	5	6	7	8	9	10	-	20	25	30	35	40	50	60	70	80	100	
Nominal Output Torque	T <sub>1</sub>	Nm	-	19	20	19	19	17	-	14	-	19	20	19	19	17	20	19	19	17	14	
Emergency Stop Torque	T <sub>2</sub>	Nm	T <sub>1</sub> × 3										T <sub>1</sub> × 3									
Nominal Input Speed	S <sub>1</sub>	rpm	5000										5000									
Maximum Input Speed	S <sub>2</sub>	rpm	10000										10000									
Maximum Output Torque	T <sub>4</sub>	Nm	T <sub>1</sub> × 3 × 60%										T <sub>1</sub> × 3 × 60%									
Maximum Radial Force	F <sub>r</sub>	N	780										780									
Maximum Axial Force	F <sub>a</sub>	N	390										390									
Torsional Rigidity	-	Nm/arcmin	3										3									
Efficiency	η	%	≥97										≥94									
Service Life	-	h	20000										20000									
Noise	-	dB	≤55										≤55									
Weight	-	Kg	0.5										0.7									
Backlash	P0		≤1										≤3									
	P1	arcmin	≤3										≤5									
	P2		≤5										≤7									
Operating Temperature	-	°C	-20~90										-20~90									
Lubrication	-		Synthetic Grease										Synthetic Grease									
Protection Class	-		IP65										IP65									
Mounting Position	-		Any Direction										Any Direction									
Moment of Inertia	J	kg.cm <sup>2</sup>	0.03										0.03									

### Notes:

- Speed ratio (i=Sin/Sout)
- When the output speed is 100 rpm, it acts on the center of the output shaft.
- For Continuous operation, the service life is no less than 10,000 hours.
- The noise value was measured based on the input rotational speed of 3000 rpm, i=10.

Any product models and parameters in this sample are subject to change without prior notice. Please confirm with the company before ordering.