

# TF Series - High-end Design and Premium Performance



## Performance Data

The TF series reducer targets those applications requiring extremely smooth operation even at high axial or radial load at high speed. The enhanced load bearing capacity guarantees its design precision at almost any demanding condition.

TF075		One Stage										Two Stage										
Speed Ratio	i	3	4	5	6	7	8	9	10	15	20	25	30	35	40	50	60	70	80	100		
Nominal Output Torque	$T_1$	Nm	130	140	160	148	140	123	-	102	130	140	160	148	140	123	160	148	140	123	102	
Emergency Stop Torque	$T_2$	Nm	$T_1 \times 3$										$T_1 \times 3$									
Nominal Input Speed	$S_1$	rpm	4000										4000									
Maximum Input Speed	$S_2$	rpm	8000										8000									
Maximum Output Torque	$T_4$	Nm	$T_1 \times 3 \times 60\%$										$T_1 \times 3 \times 60\%$									
Maximum Radial Force	$F_a$	N	4100										4100									
Maximum Axial Force	$F_b$	N	3700										3700									
Torsional Rigidity	-	Nm/arcmin	14										14									
Efficiency	$\eta$	%	$\geq 97$										$\geq 94$									
Service Life	-	h	30000										30000									
Noise	-	dB	$\leq 60$										$\leq 60$									
Weight	-	Kg	3.9										5.1									
Backlash	P0	arcmin	$\leq 1$										-									
	P1	arcmin	$\leq 3$										$\leq 5$									
	P2	arcmin	$\leq 5$										$\leq 7$									
Operating Temperature	-	$^{\circ}\text{C}$	-20~90										-20~90									
Lubrication	-		Synthetic Grease										Synthetic Grease									
Protection Class	-		IP65										IP65									
Mounting Position	-		Any Direction										Any Direction									
Moment of Inertia	J	$\text{kg}\cdot\text{cm}^2$	0.61	0.48	0.47	0.45			0.44					0.47						0.44		

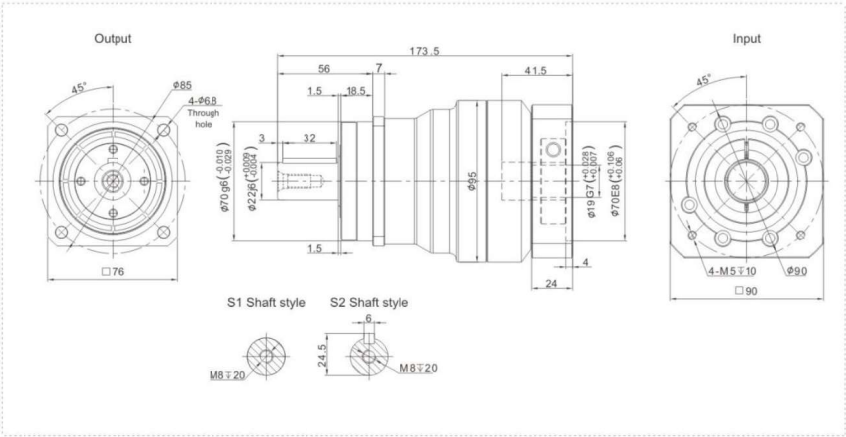
### Notes:

- Speed ratio ( $i = \text{Sin}/\text{Sout}$ )
- When the output speed is 100 rpm, it acts on the center of the output shaft.
- For continuous operation, the service life is no less than 10,000 hours.
- The noise value was measured based on the input rotational speed of 3000 rpm,  $i=10$

Any product models and parameters in this sample are subject to change without prior notice. Please confirm with the company before ordering.

## TF075 Series

### TF075 One Stage



### TF075 Two Stage

