

TDR Series - Smooth and Reliable



Performance Data

TDR series reducer offers quiet operation with high axial load and tilt moment. High quality and capacity load bearing ensures smooth operation for any flange-operated applications.

TDR140	One Stage											Two Stage				
	i	4	5	7	10	14	20	25	35	40	50	70	100	140	200	
Nominal Output Torque	T_1 Nm	540	650	555	460	555	450	650	555	560	650	555	460	555	460	
Emergency Stop Torque	T_2 Nm	$T_1 \times 3$										$T_1 \times 3$				
Nominal Input Speed	S_1 rpm	3000										3000				
Maximum Input Speed	S_2 rpm	6000										6000				
Maximum Output Torque	T_4 Nm	$T_1 \times 3 \times 60\%$										$T_1 \times 3 \times 60\%$				
Maximum Bending Moment	M_b Nm	1300										1300				
Maximum Axial Force	F_a N	10590										10590				
Torsional Rigidity	- Nm/arcmin	151										151				
Efficiency	η %	≥ 95										≥ 92				
Service Life	- h	30000										30000				
Noise	- dB	≤ 70										≤ 70				
Weight	- Kg	25										22.1				
Backlash	P0	≤ 2										≤ 4				
	P1 arcmin	≤ 4										≤ 7				
	P2	≤ 6										≤ 9				
Operating Temperature	- °C	-20-90										-20-90				
Lubrication	-	Synthetic Grease										Synthetic Grease				
Protection Class	-	IP65										IP65				
Mounting Position	-	Any Direction										Any Direction				
Moment of Inertia	J kg.cm ²	23.4					21.8					6.84		6.25		

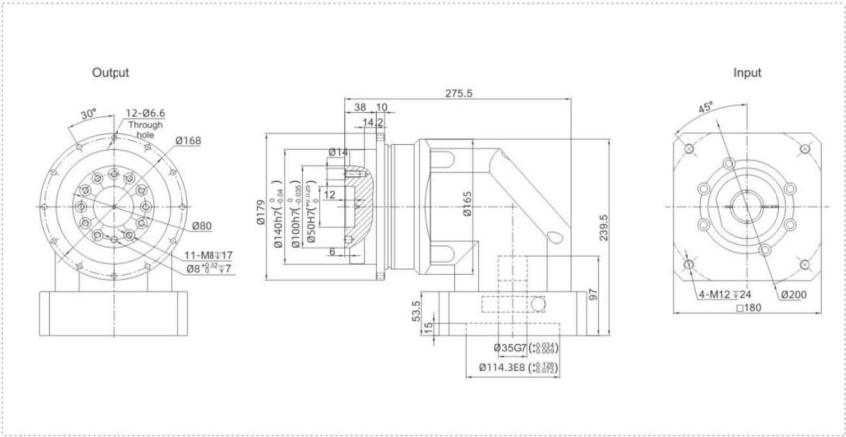
Notes:

- Speed ratio ($i = \text{Sin/Sout}$)
- When the output speed is 100 rpm, it acts on the center of the output shaft.
- For continuous operation, the service life is no less than 10,000 hours.
- The noise value was measured based on the input rotational speed of 3000 rpm, $i=10$.

Any product models and parameters in this sample are subject to change without prior notice. Please confirm with the company before ordering.

TDR140 Series

TDR140 One Stage



TDR140 Two Stage

