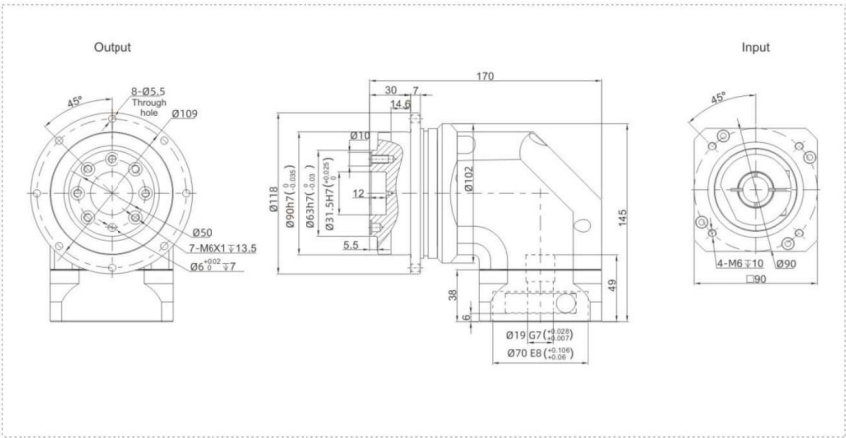


TDR Series - Smooth and Reliable

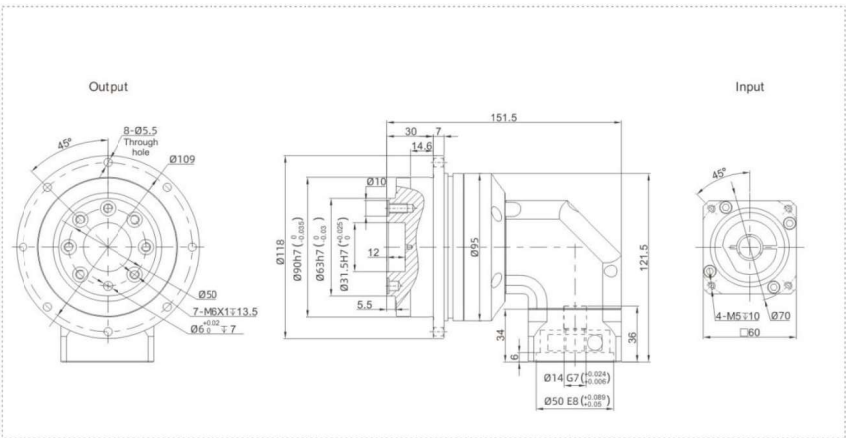


TDR090 Series

TDR090 One Stage



TDR090 Two Stage



Performance Data

TDR series reducer offers quiet operation with high axial load and tilt moment. High quality and capacity load bearing ensures smooth operation for any flange-operated applications.

TDR090		One Stage										Two Stage				
Speed Ratio	i	4	5	7	10	14	20	25	35	40	50	70	100	140	200	
Nominal Output Torque	T_1 Nm	120	150	140	102	140	102	160	148	120	150	140	102	140	102	
Emergency Stop Torque	T_2 Nm	$T_1 \times 3$										$T_1 \times 3$				
Nominal Input Speed	S_1 rpm	4000										4000				
Maximum Input Speed	S_2 rpm	8000										8000				
Maximum Output Torque	T_4 Nm	$T_1 \times 3 \times 60\%$										$T_1 \times 3 \times 60\%$				
Maximum Bending Moment	M_b Nm	235										235				
Maximum Axial Force	F_a N	2850										2850				
Torsional Rigidity	- Nm/arcmin	31										31				
Efficiency	η %	≥ 95										≥ 92				
Service Life	- h	30000										30000				
Noise	- dB	≤ 65										≤ 65				
Weight	- Kg	5										3.7				
Backlash	P0	≤ 2										≤ 4				
	P1	≤ 4										≤ 7				
	P2	≤ 6										≤ 9				
Operating Temperature	- °C	-20-90										-20-90				
Lubrication	-	Synthetic Grease										Synthetic Grease				
Protection Class	-	IP65										IP65				
Mounting Position	-	Any Direction										Any Direction				
Moment of Inertia	J kg.cm ²	2.25					1.87					0.35		0.31		

Notes:

- Speed ratio ($i = \text{Sin}/\text{Sout}$)
- When the output speed is 100 rpm, it acts on the center of the output shaft.
- For continuous operation, the service life is no less than 10,000 hours.
- The noise value was measured based on the input rotational speed of 3000 rpm, $i=10$.

Any product models and parameters in this sample are subject to change without prior notice. Please confirm with the company before ordering.