

TD Series - Smooth and Reliable



Performance Data

TD series reducer offers quiet operation with high axial load and tilt moment. High quality and capacity load bearing ensures smooth operation for any flange-operated applications.

TD090		One Stage					Two Stage					
Speed Ratio	i	4	5	7	10	20	25	35	40	50	70	100
Nominal Output Torque	T_1 Nm	130	160	140	102	130	160	140	123	160	140	102
Emergency Stop Torque	T_2 Nm	$T_1 \times 3$					$T_1 \times 3$					
Nominal Input Speed	S_1 rpm	4000					4000					
Maximum Input Speed	S_2 rpm	8000					8000					
Maximum Output Torque	T_4 Nm	$T_1 \times 3 \times 60\%$					$T_1 \times 3 \times 60\%$					
Maximum Bending Moment	M_b Nm	235					235					
Maximum Axial Force	F_a N	2850					2850					
Torsional Rigidity	- Nm/arcmin	31					31					
Efficiency	η %	≥ 97					≥ 94					
Service Life	- h	30000					30000					
Noise	- dB	≤ 60					≤ 60					
Weight	- Kg	3.9					3.1					
Backlash	P0	≤ 1					≤ 3					
	P1	≤ 3					≤ 5					
	P2	≤ 5					≤ 7					
Operating Temperature	- °C	-20-90					-20-90					
Lubrication	-	Synthetic Grease					Synthetic Grease					
Protection Class	-	IP65					IP65					
Mounting Position	-	Any Direction					Any Direction					
Moment of Inertia	J kg.cm ²	0.51	0.47	0.45	0.44	0.13						

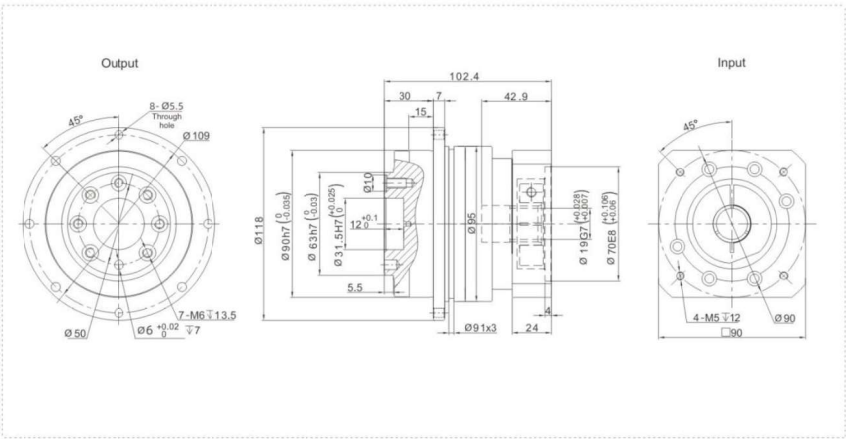
Notes:

- Speed ratio ($i = \text{Sin}/\text{Sout}$)
- When the output speed is 100 rpm, it acts on the center of the output shaft.
- For continuous operation, the service life is no less than 10,000 hours.
- The noise value was measured based on the input rotational speed of 3000 rpm, $i=10$.

Any product models and parameters in this sample are subject to change without prior notice. Please confirm with the company before ordering.

TD090 Series

TD090 One Stage



TD090 Two Stage

