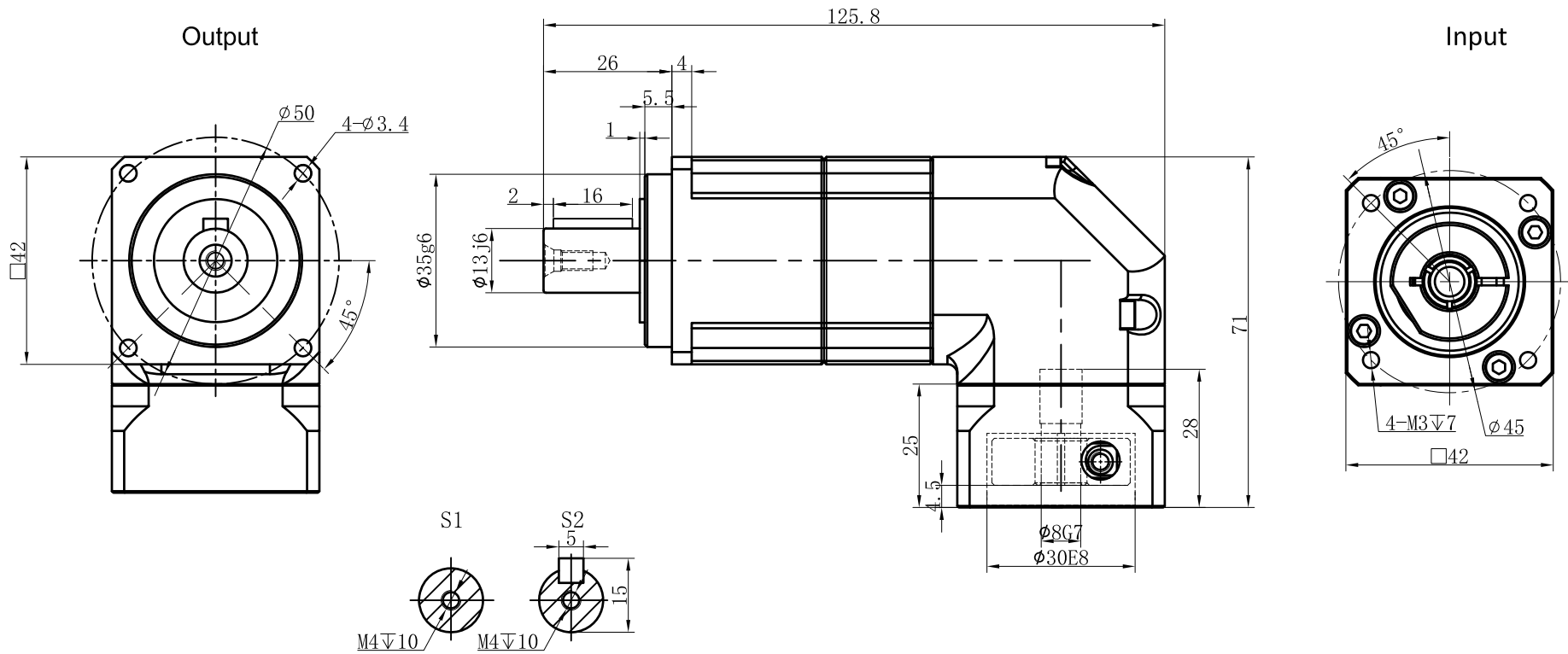


Customer name:



Transmission ratio	(A):1	Mass moments of inertia	(B)Kg.cm ²	50	0.09	18	32	Sign/Date	100	0.09	14	25.2	
Rated output torque	(C)Nm	Max.Output torque	(D)Nm	35	0.09	19	34.2		70	0.09	19	34.2	
Rated input speed	5000rpm	Max input speed	10000rpm	25	0.09	18	32						
Max.radial force	780N	Max.axial force	390N	20	0.09	15	27						
Efficiency	≥ 92%	Operating temperature	-20°~+90°	Ratio	A	B	C	D	Ratio	A	B	C	D
Mounting position	Any	Lubrication method	Synthetic grease	NOTE				Precision Planetary Reducer		TBR042			
Weight ±3%	1.1Kg	Service life	20000h							TBR042-L2			
Standard backlash	≤ 9 arcmin	Protection class	IP65							Shaft Type Precision			
Motor power		Noise level	61dB										
Motor dimensions													

	Mark	No.	Sign	Date		Precision Planetary Reducer TBR042-L2 Shaft Type Precision