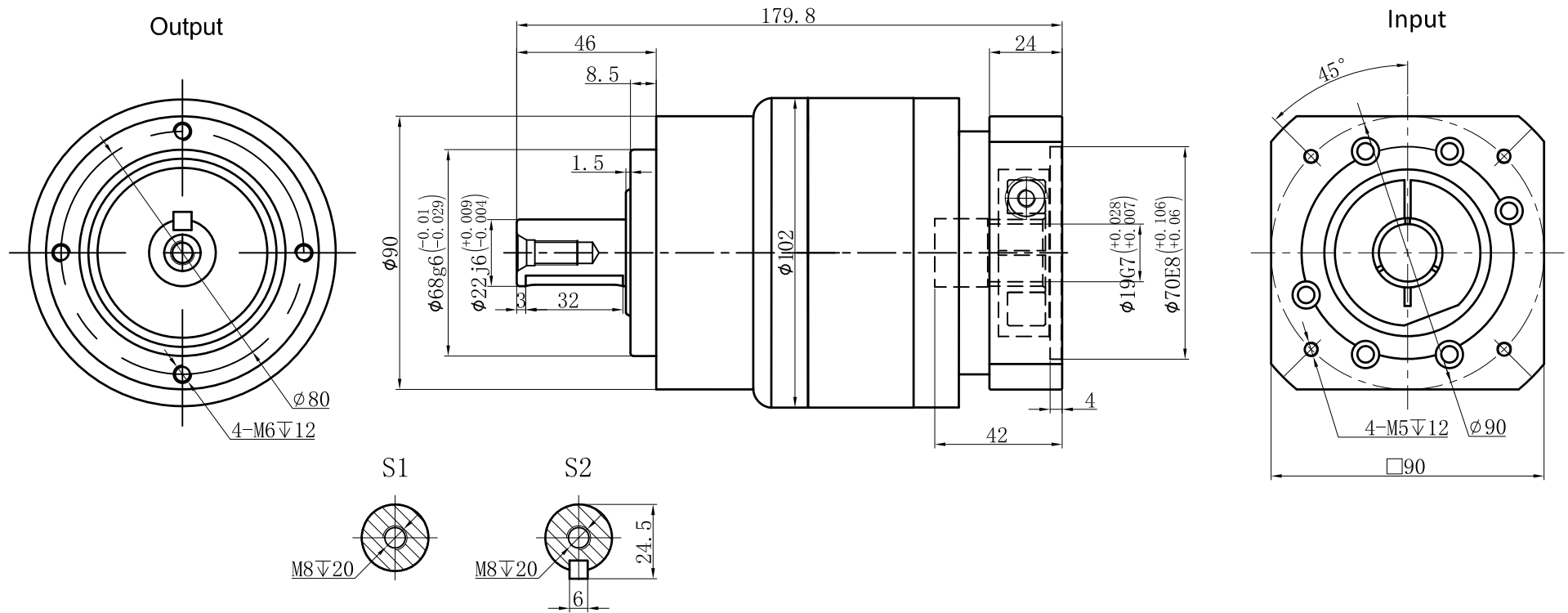


Customer name:



Transmission ratio	(<u> A</u>):1	Mass moments of inertia	(<u> B</u>)Kg.cm ²											
Rated output torque	(<u> C</u>)Nm	Max.output torque	(<u> D</u>)Nm	40	0.44	123	221.4	Sign/Date						
Rated input speed	4000rpm	Max input speed	8000rpm	35	0.47	140	252		100	0.44	102	183.6		
Max.radial force	2985N	Max.axial force	1625N	30	0.47	148	266.4		80	0.44	123	221.4		
Efficiency	$\geq 94\%$	Operating temperature	$-20^\circ \sim +90^\circ$	25	0.47	160	288		70	0.44	140	252		
Mounting position	Any	Lubrication method	Synthetic grease	20	0.47	140	252		60	0.44	148	266.4		
Weight $\pm 3\%$	5.1Kg	Service life	20000h	15	0.47	130	234	50	0.44	160	288			
Standard backlash	≤ 7 arcmin	Protection class	IP65	Ratio	A	B	C	D	Ratio	A	B	C	D	
Motor power		Noise level	60dB	Note					Precision planetary reducer	TE090				
Motor dimensions				Mark	No.	Sign	Date			TE090-L2				
										Shaft Type	Precision			

Above specifications are for standard reducer and may be subject to change without notice.