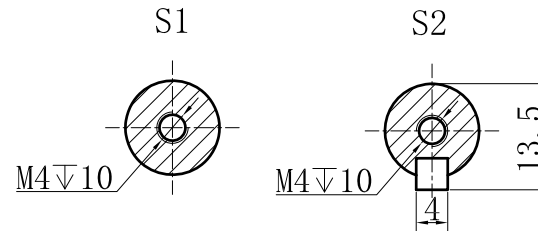
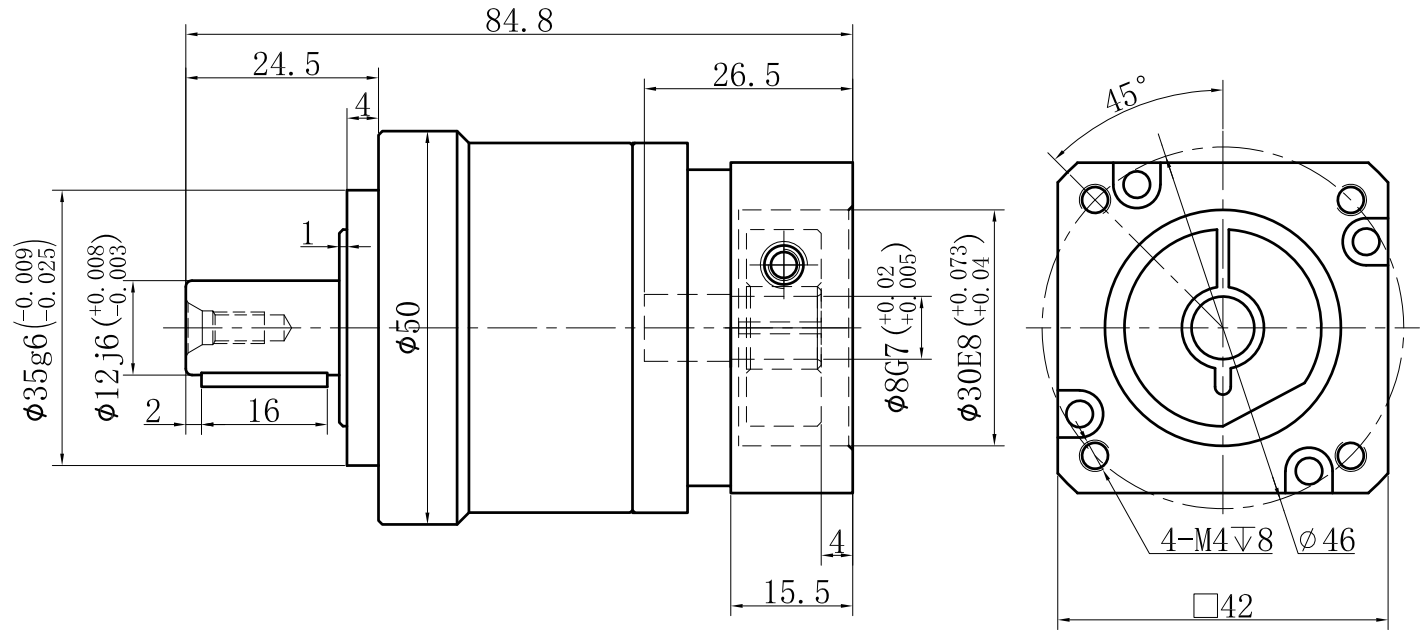
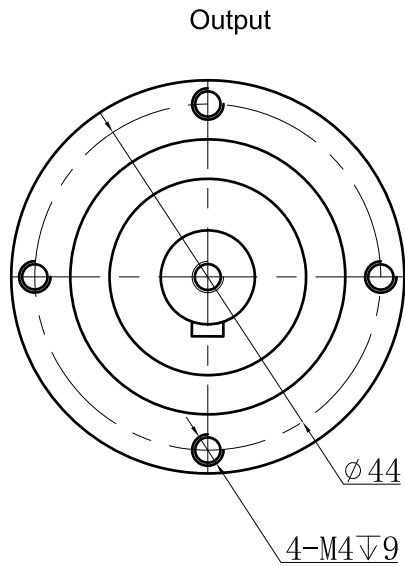


Customer name:



Transmission ratio	(<u>A</u>):1	Mass moments of inertia	(<u>B</u>)Kg.cm ²
Rated output torque	(<u>C</u>)Nm	Max.Output torque	(<u>D</u>)Nm
Rated input speed	5000rpm	Max input speed	10000rpm
Max.radial force	702N	Max.axial force	390N
Efficiency	≥ 97%	Operating temperature	-20°~+90°
Mounting position	Any	Lubrication method	Synthetic grease
Weight ±3%	0.6Kg	Service life	20000h
Standard backlash	≤ 5 arcmin	Protection class	IP65
Motor power		Noise level	56dB
Motor dimensions			

	10	0.03	14	25	Sign/Date				
	7	0.03	19	34					
	5	0.03	20	36	Ratio	A	B	C	D
	4	0.03	19	34					

NOTE					Precision Planetary Reducer	TE050	
	Mark	No.	Sign	Date	TE050-L1		
	DRAW					Shaft Type	Precision
	CHEC						
	APPR						
	RULE						

(Above specifications are for standard reducer and may be subject to change without notice.)