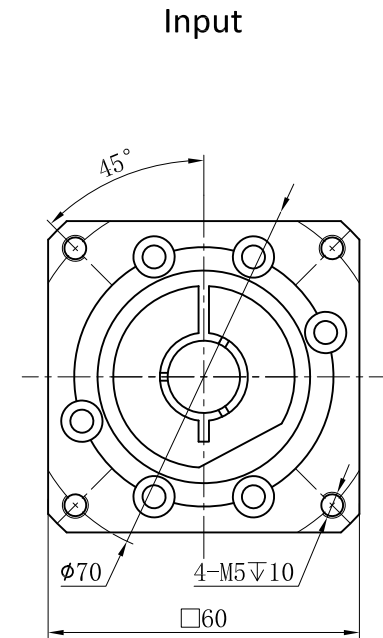
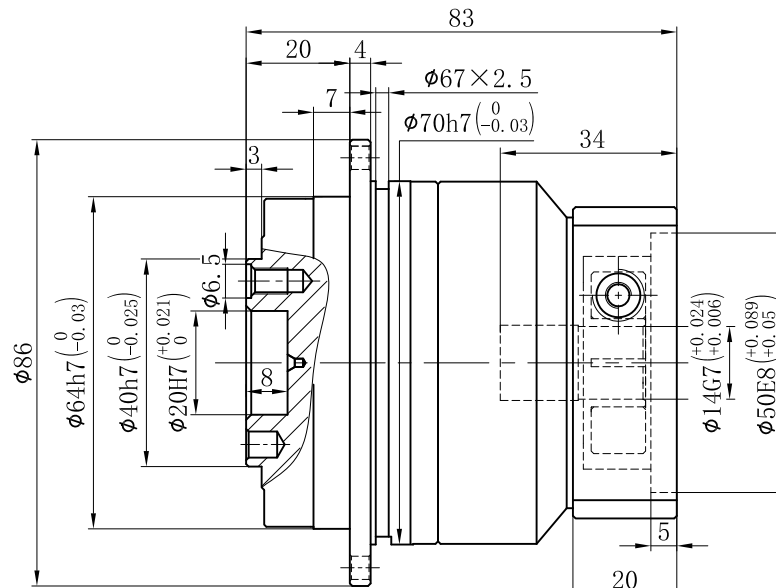
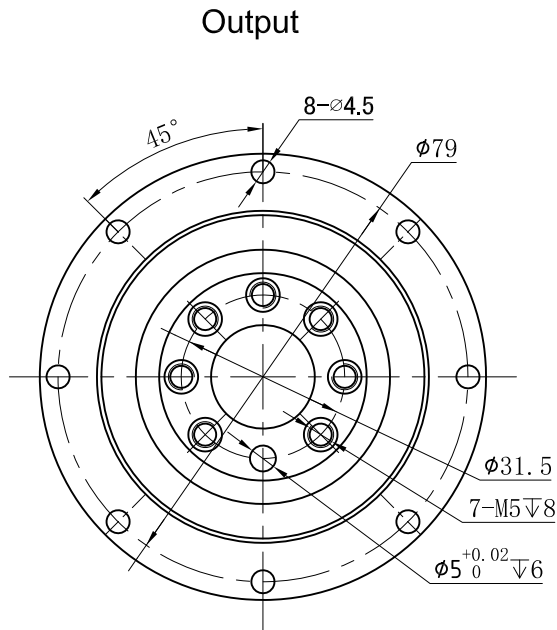


Customer Name:



| | | | |
|---------------------|-----------------|-------------------------|---------------------------------|
| Transmission Ratio | (<u> A</u>):1 | Mass Moments Of Inertia | (<u> B</u>)Kg.cm ² |
| Rated Output Torque | (<u> C</u>)Nm | Max Output Torque | (<u> D</u>)Nm |
| Rated Input Speed | 5000rpm | Max Input Speed | 10000rpm |
| Max Bending Moment | 125N | Max Axial Force | 1050N |
| Efficiency | ≥ 97% | Operating Temperature | -20°~+90° |
| Mounting Position | Any | Lubrication Method | Synthetic grease |
| Weight ±3% | 1.3Kg | Service Life | 30000h |
| Standard Backlash | ≤ 5 arcmin | Protection Class | IP65 |
| Motor Power | -- KW | Noise Level | 58dB |
| Motor Dimensions | | | |

| | | | | | | | | | | |
|-------|-----|------|------|-------|-----------|-----------------------------|------------|-----------|---|---|
| | 4 | 0.14 | 50 | 90 | Sign/Date | | | | | |
| | 5 | 0.13 | 58 | 104.4 | | | | | | |
| | 7 | 0.13 | 50 | 90 | | | | | | |
| | 10 | 0.13 | 42 | 75.6 | | | | | | |
| Ratio | A | B | C | D | | Ratio | A | B | C | D |
| Note | | | | | | Precision Planetary Reducer | TD064 | | | |
| Mark | No. | Sign | Date | | | | TD064-L1 | | | |
| | | | | | | | Shaft Type | Precision | | |
| | | | | | | | | | | |
| | | | | | | | | | | |

Above specifications are for standard reducer and may be subject to change without notice.