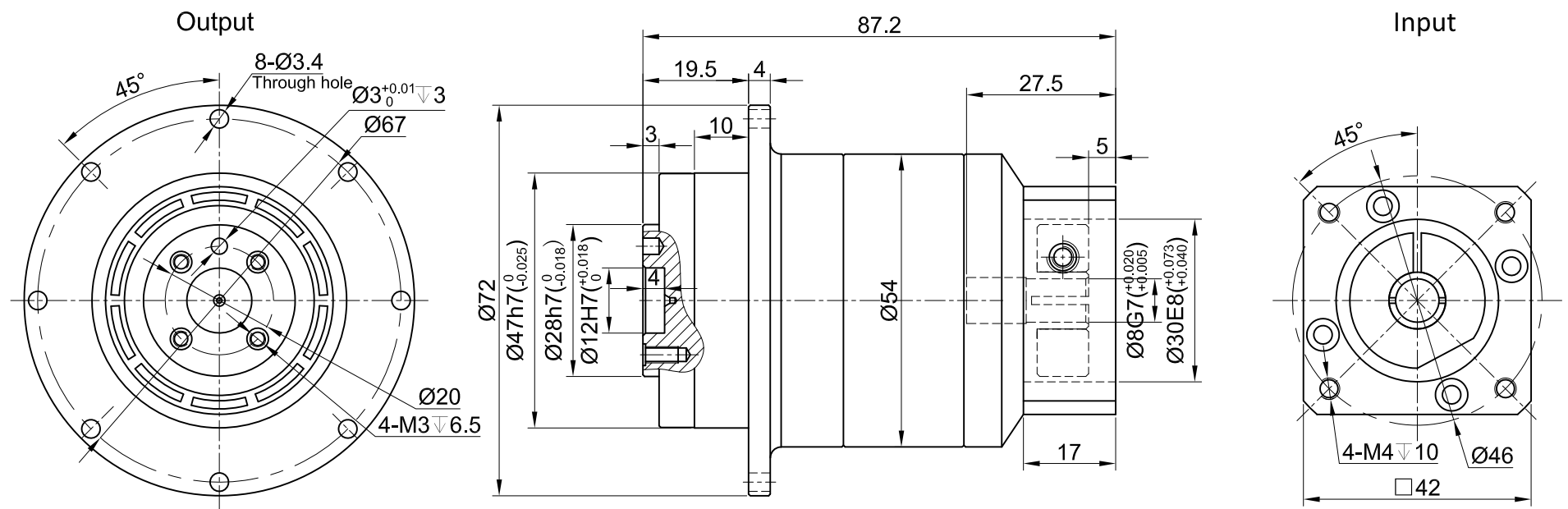


Customer Name: _____



Transmission Ratio	(<u> A </u>):1	Mass Moments Of Inertia	(<u> B </u>)Kg.cm ²											
Rated Output Torque	(<u> C </u>)Nm	Max Output Torque	(<u> D </u>)Nm	40	0.03	17	30.6	Sign/Date						
Rated Input Speed	5000rpm	Max Input Speed	10000rpm	35	0.03	19	34.2				100	0.03	14	25.2
Max Bending Moment	780Nm	Max Axial Force	390N	25	0.03	20	36			70	0.03	19	34.2	
Efficiency	≥ 94%	Operating Temperature	-20°~+90°	20	0.03	19	34.2			50	0.03	20	36	
Mounting Position	Any	Lubrication Method	Synthetic grease	Ratio	A	B	C	D		Ratio	A	B	C	D
Weight ±3%	0.98Kg	Service Life	20000h	Note							Precision Planetary Reducer	TD047		
Standard Backlash	--arcmin	Protection Class	IP65	Mark	No.	Sign	Date				TD047-L2			
Motor Power	-- KW	Noise Level	55dB								Shaft Type	Precision		
Motor Dimensions														

Above specifications are for standard reducer and may be subject to change without notice.