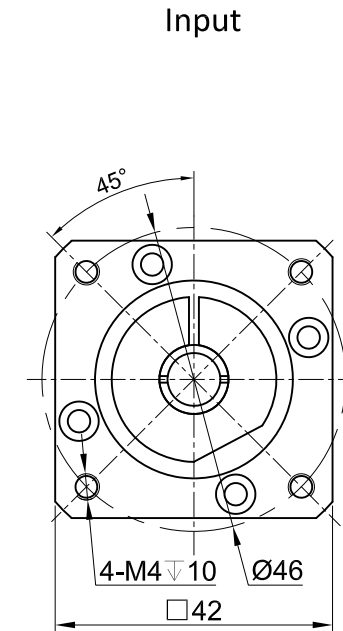
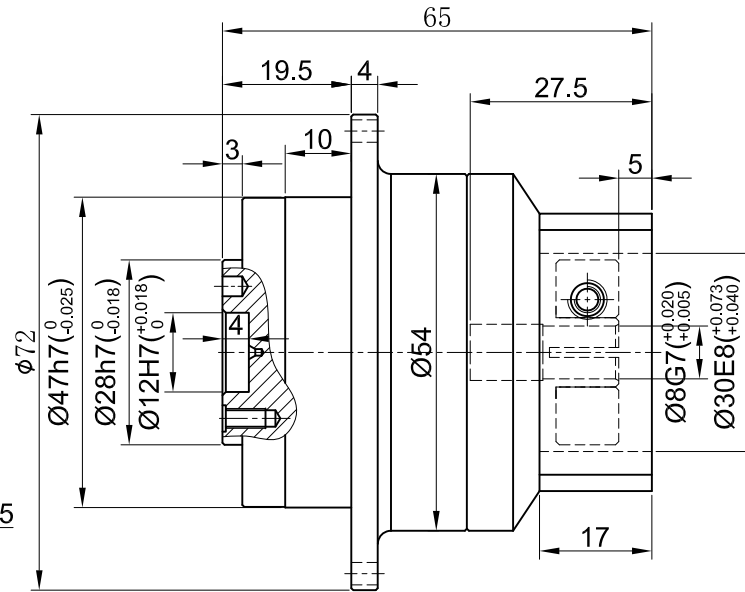
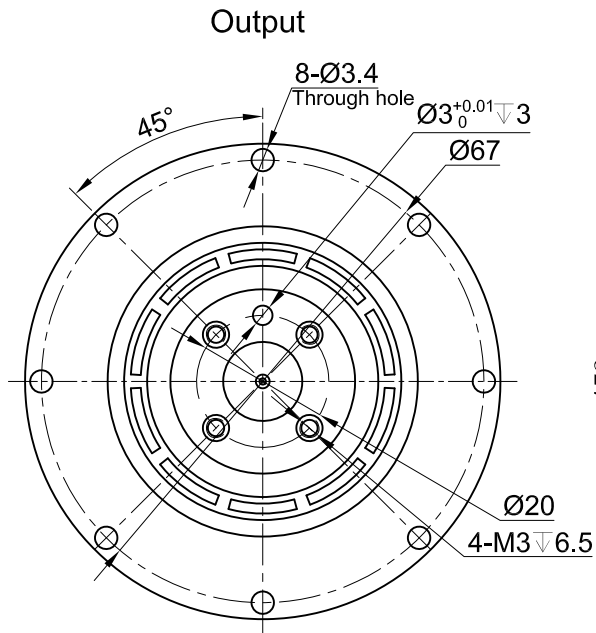


Customer Name:



Transmission Ratio	(<u> A </u>):1	Mass Moments Of Inertia	(<u> B </u>)Kg.cm ²
Rated Output Torque	(<u> C </u>)Nm	Max Output Torque	(<u> D </u>)Nm
Rated Input Speed	5000rpm	Max Input Speed	10000rpm
Max Bending Moment	780Nm	Max Axial Force	390N
Efficiency	≥ 97%	Operating Temperature	-20°~+90°
Mounting Position	Any	Lubrication Method	Synthetic grease
Weight ±3%	0.65Kg	Service Life	20000h
Standard Backlash	--arcmin	Protection Class	IP65
Motor Power	-- KW	Noise Level	55dB
Motor Dimensions			

	10	0.03	14	25.2	Sign/Date					
	7	0.03	19	34.2						
	5	0.03	20	36						
	4	0.03	19	34.2						
Ratio	A	B	C	D		Ratio	A	B	C	D
Note						Precision Planetary Reducer	TD047			
Mark	No.	Sign	Date				TD047-L1			
	DRAW						Shaft Type	Precision		
	CHEC									
	APPR									
	RULE									

Above specifications are for standard reducer and may be subject to change without notice.