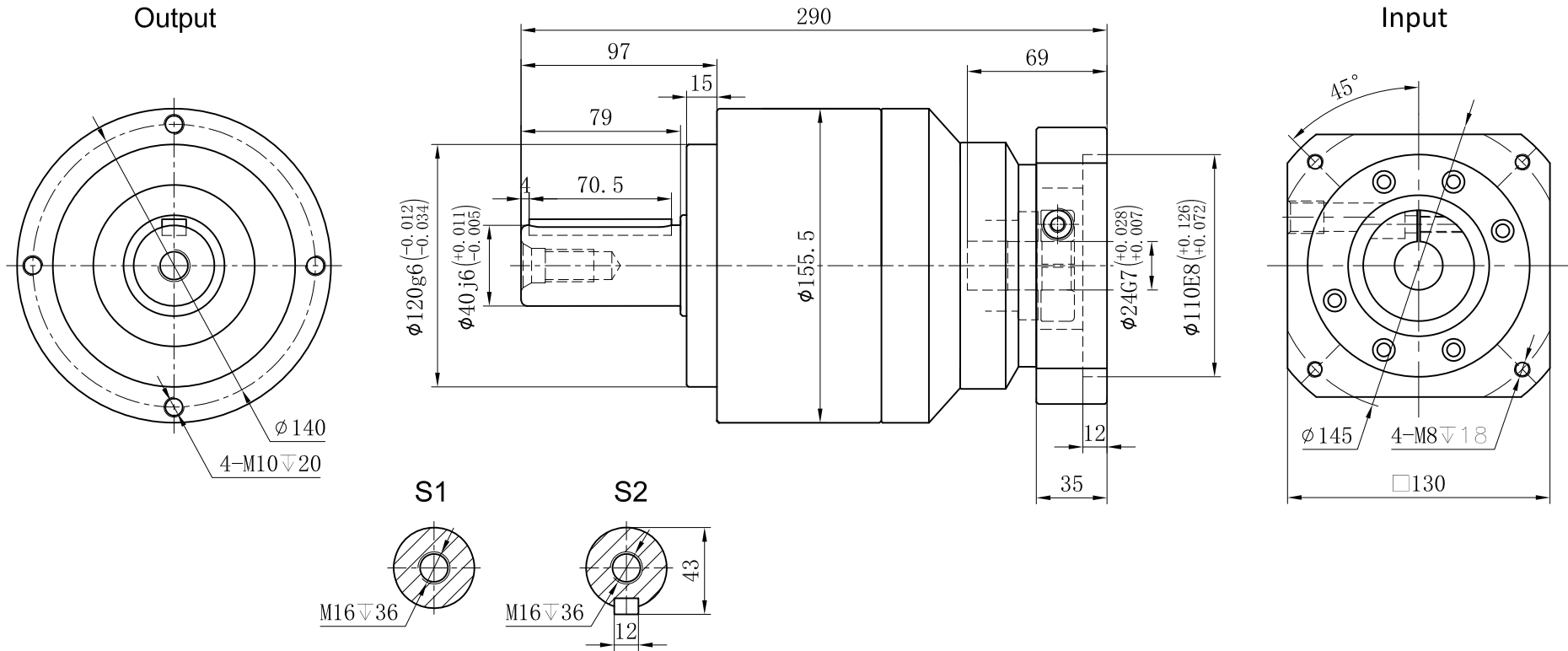


Customer Name:



Transmission Ratio	( <u> A</u> ):1	Mass Moments Of Inertia	( <u> B</u> )Kg.cm <sup>2</sup>	15	2.71	340	612	Sign/Date	50	2.54	650	1170	
Rated Output Torque	( <u> C</u> )Nm	Max Output Torque	( <u> D</u> )Nm	20	2.71	535	963		60	2.54	600	1080	
Rated Input Speed	3000rpm	Max Input Speed	4000rpm	25	2.71	650	1170		70	2.54	550	990	
Max Radial Force	9400N	Max Axial Force	4700N	30	2.71	600	1080		80	2.54	500	900	
Efficiency	≥ 94%	Operating Temperature	-20°~+90°	35	2.71	550	990		100	2.54	445	801	
Mounting Position	Any	Lubrication Method	Synthetic grease	40	2.71	500	900						
Weight ±3%	20Kg	Service Life	20000h	Ratio	A	B	C	D	Ratio	A	B	C	D
Standard Backlash	≤ 7 arcmin	Protection Class	IP65	Note					Precision Planetary Reducer	TCE155			
Motor Power	-- KW	Noise Level	65dB	Mark	No.	Sign	Date			TCE155-L2			
Motor Dimensions										Shaft Type	Precision		

Above specifications are for standard reducer and may be subject to change without notice.