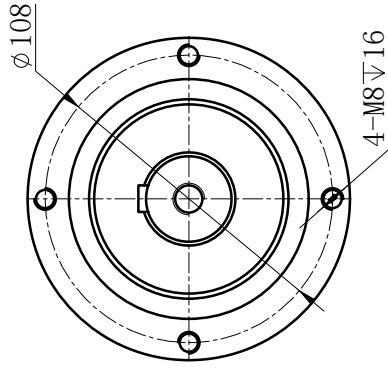
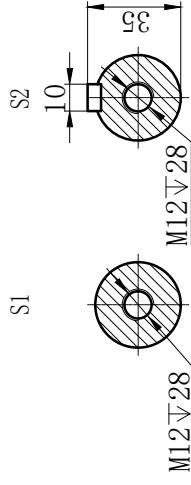
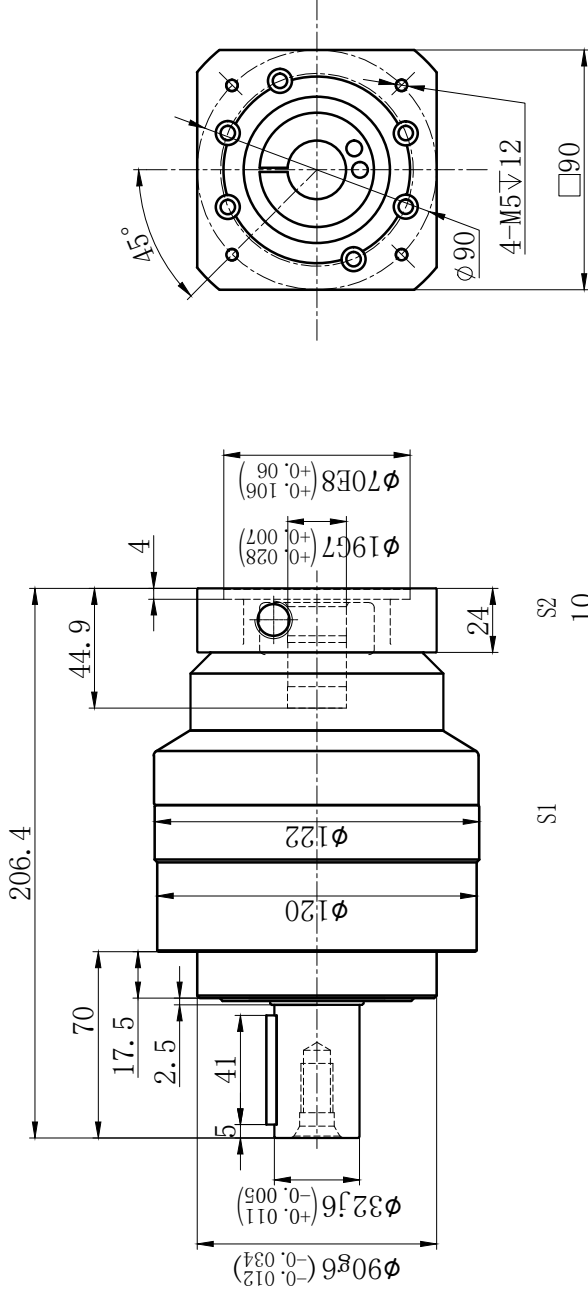


Customer name:

Output

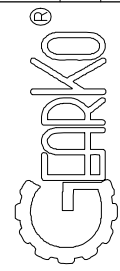


Input



Transmission ratio	(A):1	Mass moments of inertia	(B) Kg.cm ²
Rated output torque	(C) Nm	Max. Output torque	(D) Nm
Rated input speed	3000rpm	Max input speed	5000rpm
Max. radial force	6100N	Max. axial force	3350N
Efficiency	≥ 94%	Operating temperature	-20°~+90°
Mounting position	Any	Lubrication method	Synthetic grease
Weight ±3%	8.5Kg	Service life	20000h
Standard backlash	≤ 7 arcmin	Protection class	IP65
Motor power		Noise level	63dB
Motor dimensions			

40	0.47	255	459	Sign/Date	Ratio	A	B	C	D
35	0.47	300	540						
30	0.47	310	558						
25	0.47	320	576						
20	0.47	280	504						
15	0.47	200	360						
NOTE									
Precision Planetary Reducer									
TCE120									
TCE120-L2									
Shaft Type Precision									
Precision									



Mark	No.	Sign	Date
	DRAW		
	CHEC		
	APPR		
	RULE		

(Above specifications are for standard reducer and may be subject to change without notice.)