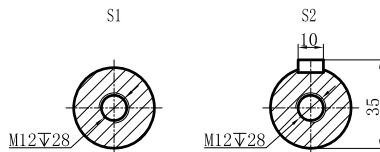
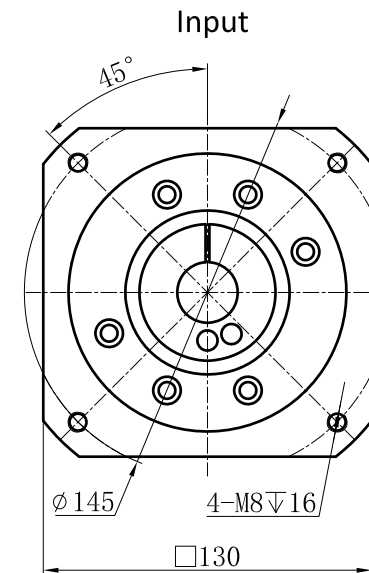
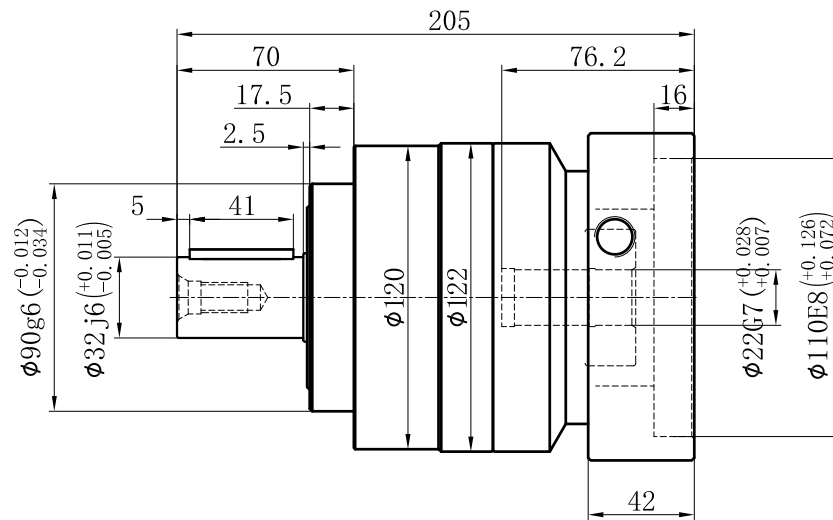
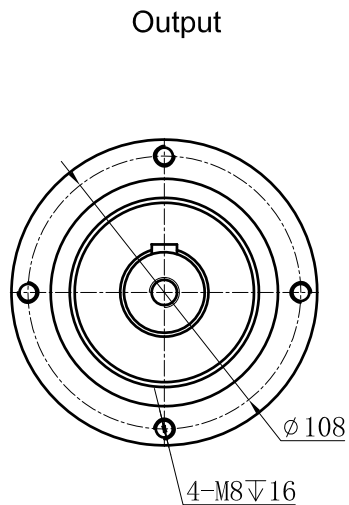


Customer name:



Transmission ratio	(<u> A </u>):1	Mass moments of inertia	(<u> B </u>)Kg.cm ²											
Rated output torque	(<u> C </u>)Nm	Max.Output torque	(<u> D </u>)Nm											
Rated input speed	3000rpm	Max input speed	6000rpm		6	2.65	310	558	Sign/Date					
Max.radial force	6700N	Max.axial force	3350N		5	2.71	320	576			10	2.57	220	396
Efficiency	≥ 97%	Operating temperature	-20°~+90°	Ratio	4	2.74	280	504			8	2.58	255	459
Mounting position	Any	Lubrication method	Synthetic grease		3	3.25	200	360			7	2.62	300	540
Weight ±3%	7.8Kg	Service life	20000h		A	B	C	D		Ratio	A	B	C	D
Standard backlash	≤ 5 arcmin	Protection class	IP65	NOTE										
Motor power		Noise level	63dB											
Motor dimensions														

Above specifications are for standard reducer and may be subject to change without notice.