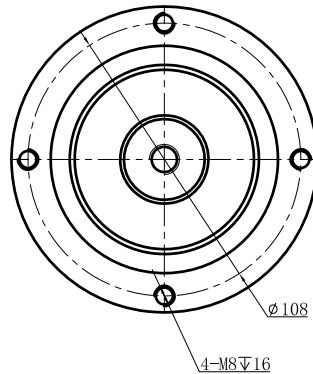
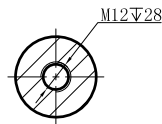


Customer name:

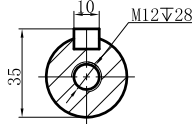
Output



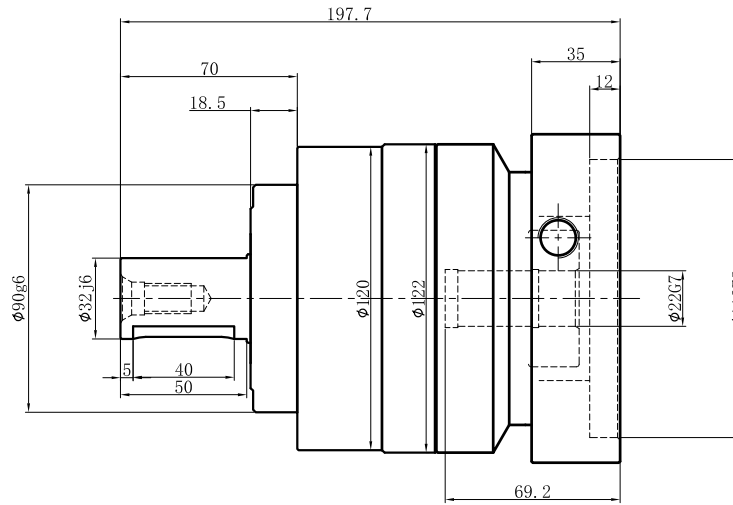
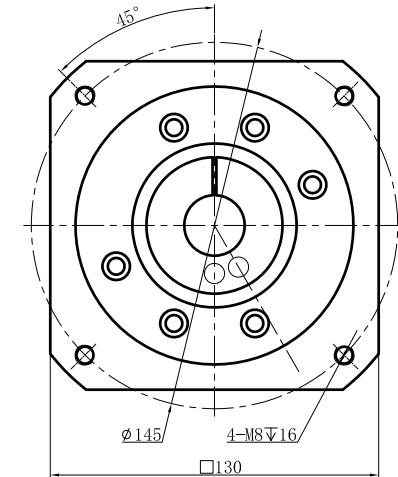
S1



S2



Input



Transmission ratio	( <u> A</u> ):1	Mass moments of inertia	( <u> B</u> )Kg.cm <sup>2</sup>
Rated output torque	( <u> C</u> )Nm	Max.Output torque	( <u> D</u> )Nm
Rated input speed	3000rpm	Max input speed	6000rpm
Max.radial force	3350N	Max.axial force	6700N
Efficiency	≥ 97%	Operating temperature	-20°~+90°
Mounting position	Any	Lubrication method	Synthetic grease
Weight ±3%	7.8Kg	Service life	20000h
Standard backlash	≤ 5 arcmin	Protection class	IP65
Motor power		Noise level	63dB
Motor dimensions			

	10	2.57	220	396	Sign/Date		8	2.58	255	459
	7	2.62	300	540			6	2.65	310	558
	5	2.71	320	540		3	3.25	300	540	
	4	2.74	280	504						
Ratio	A	B	C	D		Ratio	A	B	C	D

NOTE				Precision Planetary Reducer				TCE120			
				Mark				TCE120-L1			
				No.				Shaft Type			
				Sign				Precision			
				Date							
				DRAW							
				CHEC							
				APPR							
				RULE							

Above specifications are for standard reducer and may be subject to change without notice.