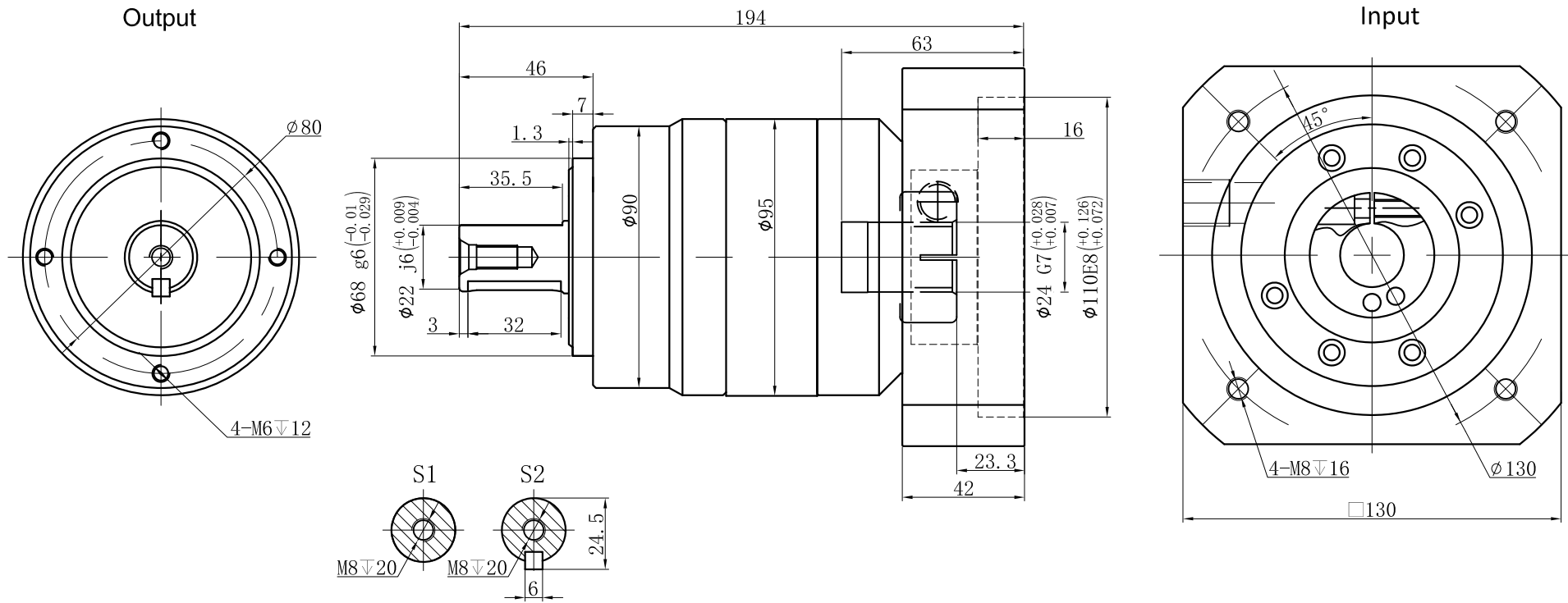


Customer name:



Transmission ratio	(<u> A </u>):1	Mass moments of inertia	(<u> B </u>)Kg.cm ²										
Rated output torque	(<u> C </u>)Nm	Max.output torque	(<u> D </u>)Nm	40	0.13	120	215	Sign/Date					
Rated input speed	3000rpm	Max input speed	5000rpm	35	0.13	135	240		100	0.13	100	180	
Max.radial force	3250N	Max.axial force	1625N	30	0.13	140	250		80	0.13	120	215	
Efficiency	≥ 94%	Operating temperature	-20°~+90°	25	0.13	150	270		70	0.13	135	240	
Mounting position	Any	Lubrication method	Synthetic grease	20	0.13	110	195		60	0.13	140	250	
Weight ±3%	5.1Kg	Service life	20000h	15	0.13	100	180	50	0.13	150	270		
Standard backlash	≤ 7 arcmin	Protection class	IP65	Ratio	A	B	C	D	Ratio	A	B	C	D
Motor power		Noise level	63dB	Note					Precision planetary reducer	TCE090			
Motor dimensions				Mark	No.	Sign	Date			TCE090-L2			
										Shaft Type	Precision		

Above specifications are for standard reducer and may be subject to change without notice.