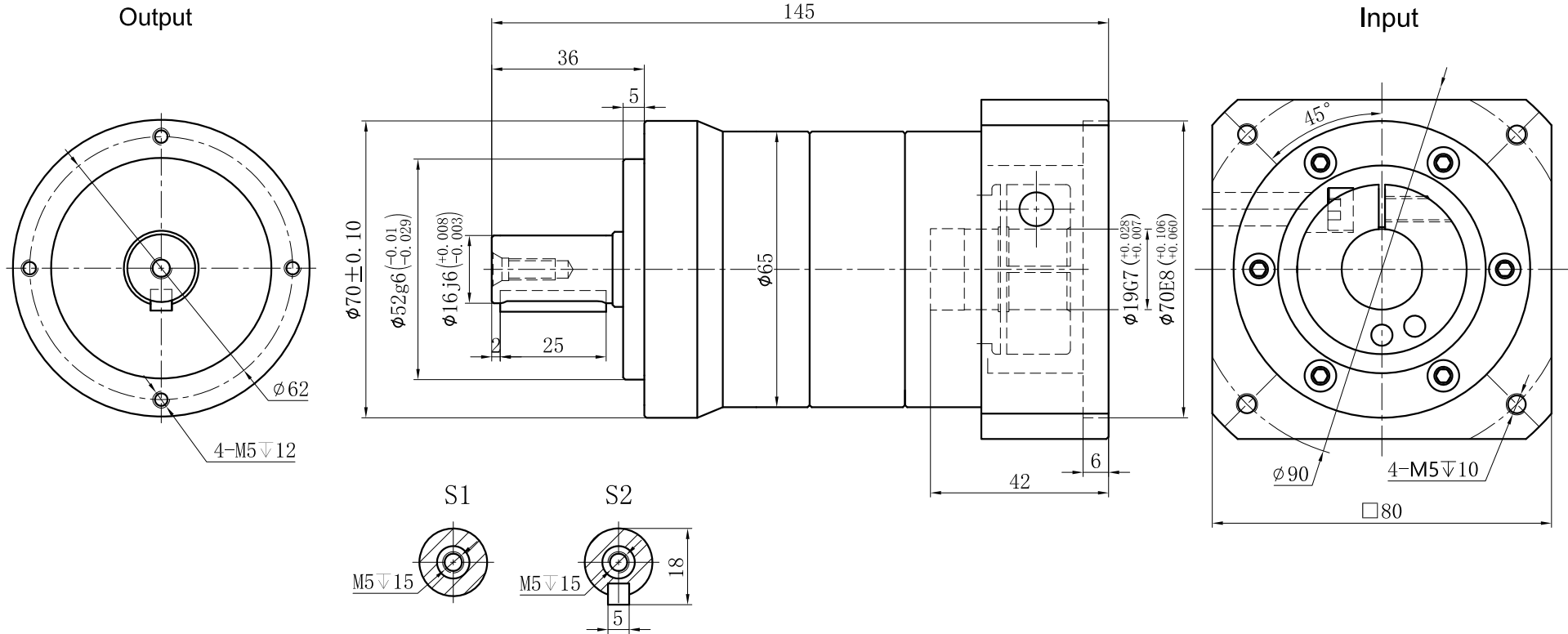


Customer Name:



Transmission Ratio	(<u> A </u>):1	Mass Moments Of Inertia	(<u> B </u>)Kg.cm ²										
Rated Output Torque	(<u> C </u>)Nm	Max Output Torque	(<u> D </u>)Nm	15	0.13	40	72	Sign/Date	50	0.13	55	99	
Rated Input Speed	3000rpm	Max Input Speed	5000rpm	20	0.13	45	81		60	0.13	50	90	
Max Radial Force	1530N	Max Axial Force	765N	25	0.13	55	99		70	0.13	45	81	
Efficiency	≥ 94%	Operating Temperature	-20°~+90°	30	0.13	50	90		80	0.13	45	81	
Mounting Position	Any	Lubrication Method	Synthetic grease	35	0.13	45	81		100	0.13	35	63	
Weight ±3%	1.9Kg	Service Life	20000h	40	0.13	45	81						
Standard Backlash	≤ 7 arcmin	Protection Class	IP65	Ratio	A	B	C	D	Ratio	A	B	C	D
Motor Power	-- KW	Noise Level	58dB	Note					Precision Planetary Reducer	TCE070			
Motor Dimensions				Mark	No.	Sign	Date			TCE070-L2			
										Shaft Type	Precision		

Above specifications are for standard reducer and may be subject to change without notice.