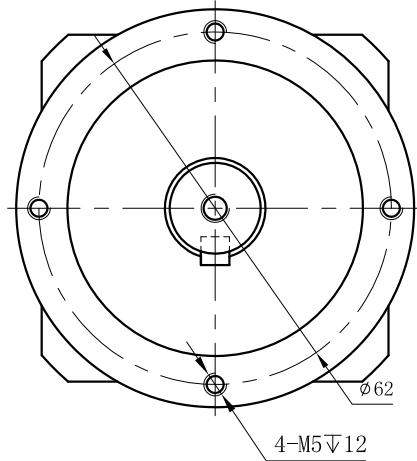
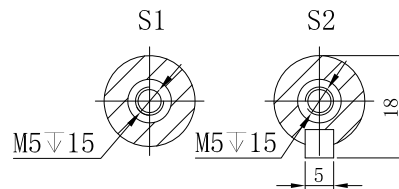
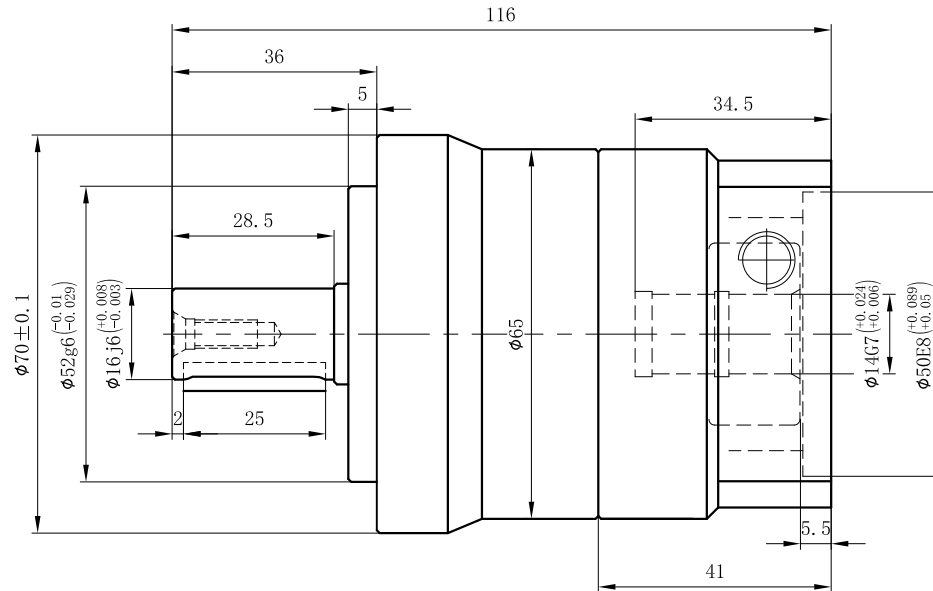
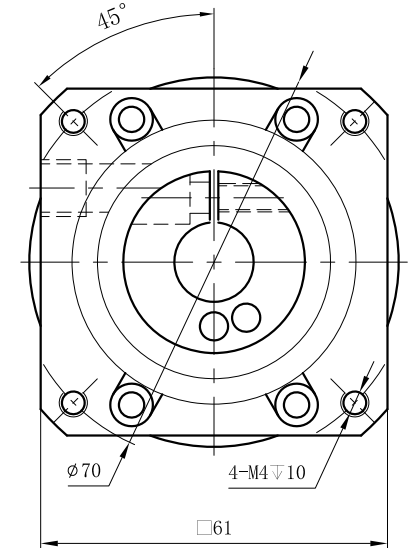


Customer Name:

Output



Input



Transmission Ratio	( <u> A</u> ):1	Mass Moments Of Inertia	( <u> B</u> )Kg.cm <sup>2</sup>
Rated Output Torque	( <u> C</u> )Nm	Max Output Torque	( <u> D</u> )Nm
Rated Input Speed	3000rpm	Max Input Speed	5000rpm
Max Radial Force	1530N	Max.axial Force	765N
Efficiency	≥ 97%	Operating Temperature	-20°~+90°
Mounting Position	Any	Lubrication Method	Synthetic grease
Weight ±3%	1.6Kg	Service Life	20000h
Standard Backlash	≤ 5 arcmin	Protection Class	IP65
Motor Power	-- KW	Noise Level	58dB
Motor Dimensions			

	3	0.16	40	72	Sign/Date	7	0.13	45	81	
	4	0.14	45	81		8	0.13	45	81	
	5	0.13	55	99		10	0.13	35	63	
	6	0.13	50	90						
Ratio	A	B	C	D		Ratio	A	B	C	D
Note						Precision Planetary Reducer	TCE070			
Mark	No.	Sign	Date				TCE070-L1			
							Shaft Type	Precision		

Above specifications are for standard reducer and may be subject to change without notice.