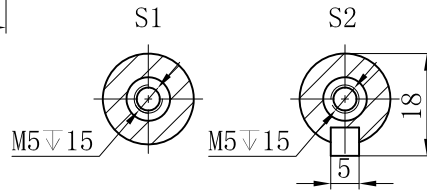
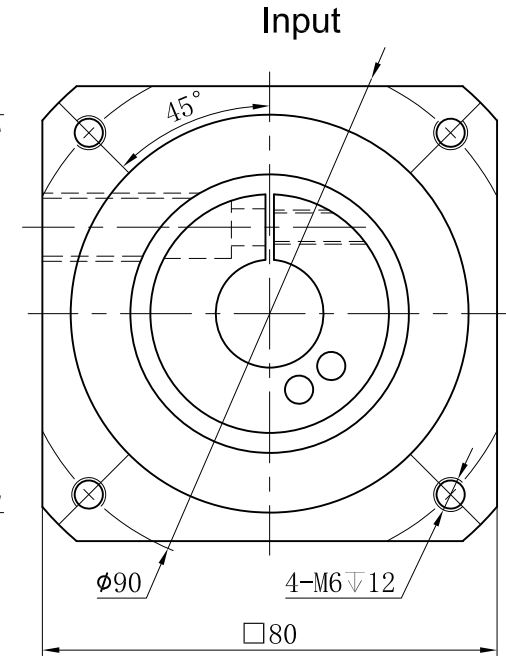
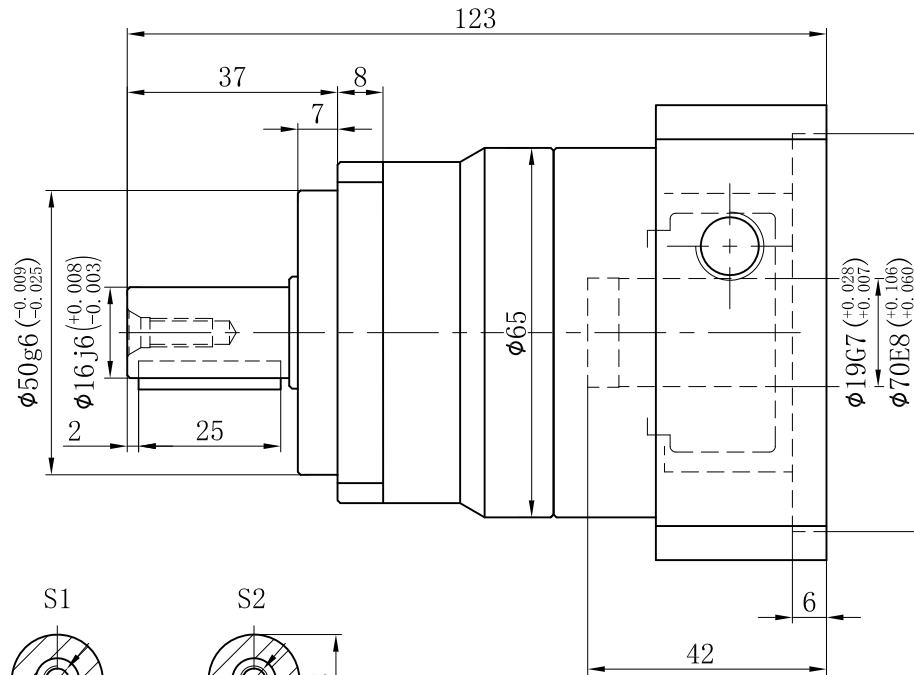
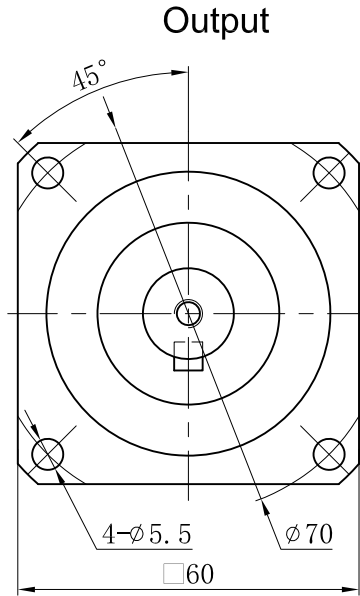


Customer Name:



|                     |                  |                         |                                  |
|---------------------|------------------|-------------------------|----------------------------------|
| Transmission Ratio  | ( <u> A </u> ):1 | Mass Moments Of Inertia | ( <u> B </u> )Kg.cm <sup>2</sup> |
| Rated Output Torque | ( <u> C </u> )Nm | Max Output Torque       | ( <u> D </u> )Nm                 |
| Rated Input Speed   | 3000rpm          | Max Input Speed         | 5000rpm                          |
| Max Radial Force    | 1530N            | Max.axial Force         | 765N                             |
| Efficiency          | ≥ 97%            | Operating Temperature   | -20°~+90°                        |
| Mounting Position   | Any              | Lubrication Method      | Synthetic grease                 |
| Weight ±3%          | 1.3Kg            | Service Life            | 20000h                           |
| Standard Backlash   | ≤ 5 arcmin       | Protection Class        | IP65                             |
| Motor Power         | -- KW            | Noise Level             | 58dB                             |
| Motor Dimensions    |                  |                         |                                  |

|       |      |      |      |    |            |                             |           |      |    |    |
|-------|------|------|------|----|------------|-----------------------------|-----------|------|----|----|
|       | 10   | 0.13 | 35   | 63 | Sign/Date  |                             |           |      |    |    |
|       | 8    | 0.13 | 45   | 81 |            |                             | 7         | 0.13 | 45 | 81 |
|       | 6    | 0.13 | 50   | 90 |            |                             | 5         | 0.13 | 55 | 99 |
|       | 4    | 0.14 | 45   | 81 |            |                             | 3         | 0.16 | 40 | 72 |
| Ratio | A    | B    | C    | D  |            | Ratio                       | A         | B    | C  | D  |
| Note  |      |      |      |    |            | Precision Planetary Reducer | TCB060    |      |    |    |
| Mark  | No.  | Sign | Date |    |            |                             | TCB060-L1 |      |    |    |
|       | DRAW |      |      |    | Shaft Type |                             | Precision |      |    |    |
|       | CHEC |      |      |    |            |                             |           |      |    |    |
|       | APPR |      |      |    |            |                             |           |      |    |    |
|       | RULE |      |      |    |            |                             |           |      |    |    |

Above specifications are for standard reducer and may be subject to change without notice.