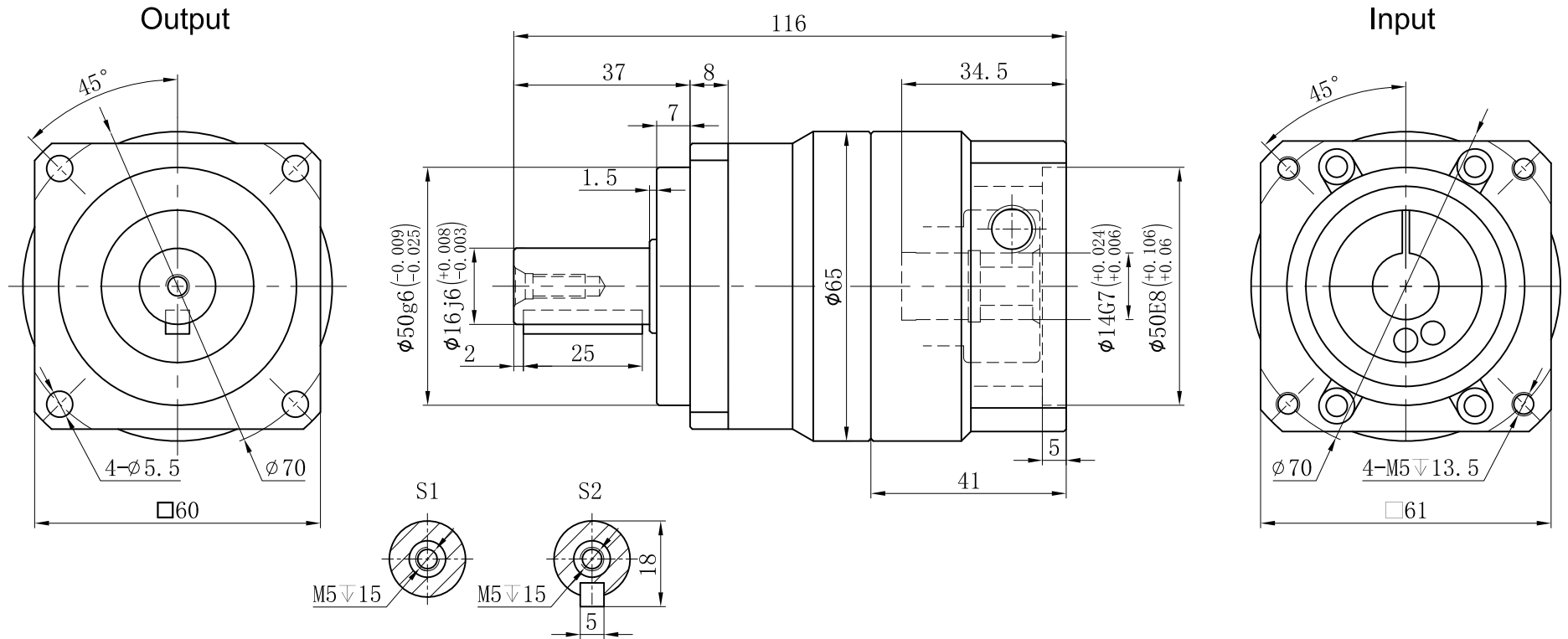


Customer Name:



Transmission Ratio	(<u> A</u>):1	Mass Moments Of Inertia	(<u> B</u>)Kg.cm ²
Rated Output Torque	(<u> C</u>)Nm	Max Output Torque	(<u> D</u>)Nm
Rated Input Speed	3000rpm	Max Input Speed	6000rpm
Max Radial Force	1530N	Max.axial Force	765N
Efficiency	≥ 97%	Operating Temperature	-20°~+90°
Mounting Position	Any	Lubrication Method	Synthetic grease
Weight ±3%	1.3Kg	Service Life	20000h
Standard Backlash	≤ 5 arcmin	Protection Class	IP65
Motor Power	-- kW	Noise Level	58dB
Motor Dimensions			

	6	0.13	50	90	Sign/Date						
	5	0.13	55	99			10	0.13	35	63	
	4	0.14	45	81			8	0.13	45	81	
	3	0.16	40	72			7	0.13	45	81	
Ratio	A	B	C	D		Ratio	A	B	C	D	
Note						Precision Planetary Reducer	TCB060				
	Mark	No.	Sign	Date			TCB060-L1				
							Shaft Type	Precision			

Above specifications are for standard reducer and may be subject to change without notice.