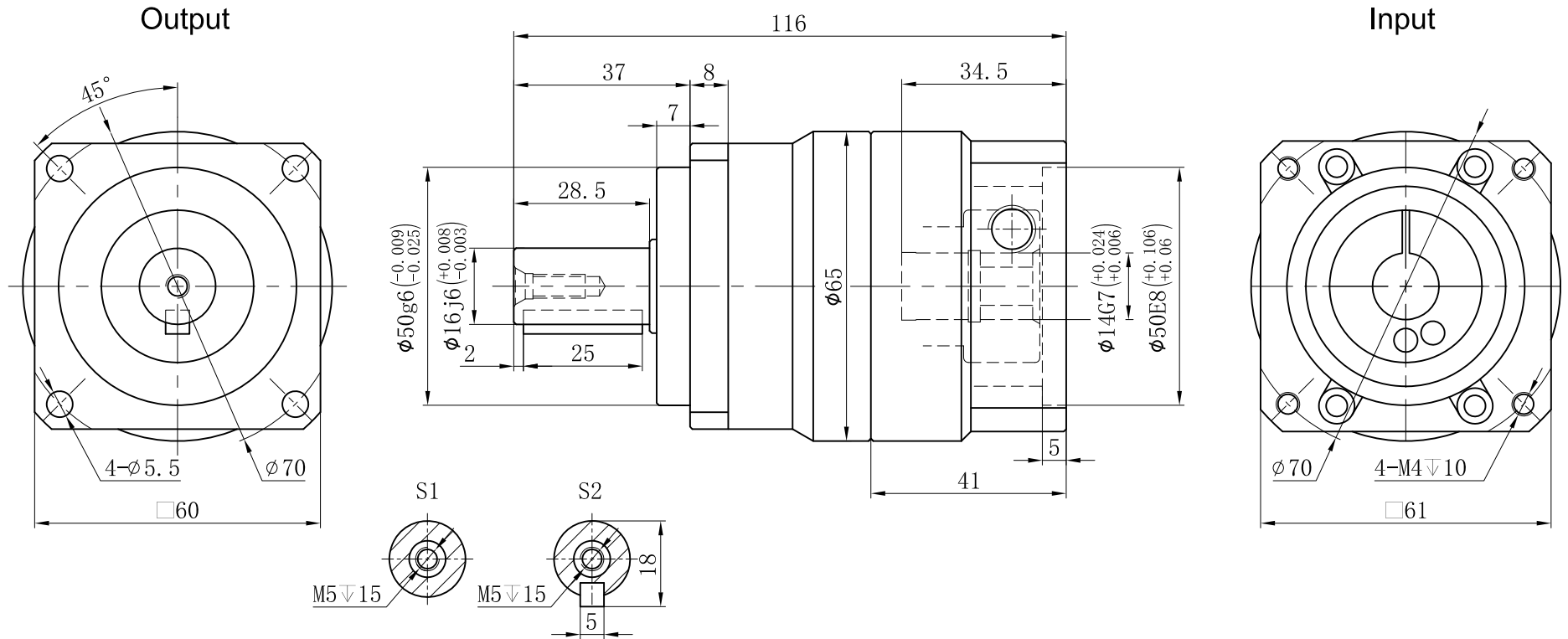


Customer Name:



Transmission Ratio	(<u>A</u>):1	Mass Moments Of Inertia	(<u>B</u>)Kg.cm ²
Rated Output Torque	(<u>C</u>)Nm	Max Output Torque	(<u>D</u>)Nm
Rated Input Speed	3000rpm	Max Input Speed	5000rpm
Max Radial Force	1530N	Max.axial Force	765N
Efficiency	≥ 97%	Operating Temperature	-20°~+90°
Mounting Position	Any	Lubrication Method	Synthetic grease
Weight ±3%	1.3Kg	Service Life	20000h
Standard Backlash	≤ 5 arcmin	Protection Class	IP65
Motor Power	-- kW	Noise Level	58dB
Motor Dimensions			

	3	0.16	40	72	Sign/Date	7	0.13	45	81	
	4	0.14	45	81		8	0.13	45	81	
	5	0.13	55	99		10	0.13	35	63	
	6	0.13	50	90						
Ratio	A	B	C	D		Ratio	A	B	C	D

Note					Precision Planetary Reducer	TCB060
	Mark	No.	Sign	Date		TCB060-L1
		DRAW			Shaft Type	Precision
		CHEC				
		APPR				
		RULE				

Above specifications are for standard reducer and may be subject to change without notice.