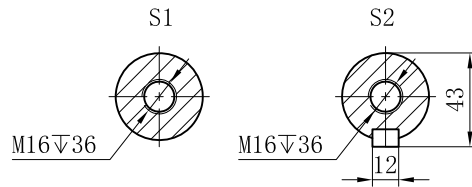
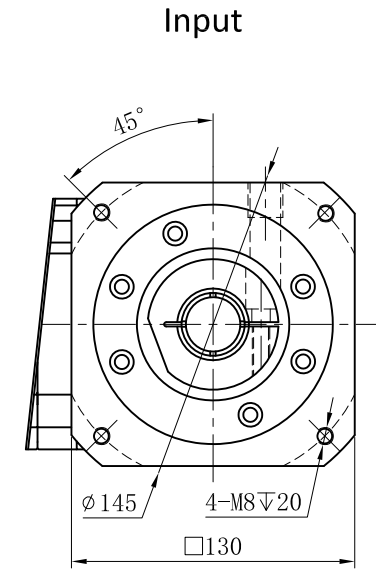
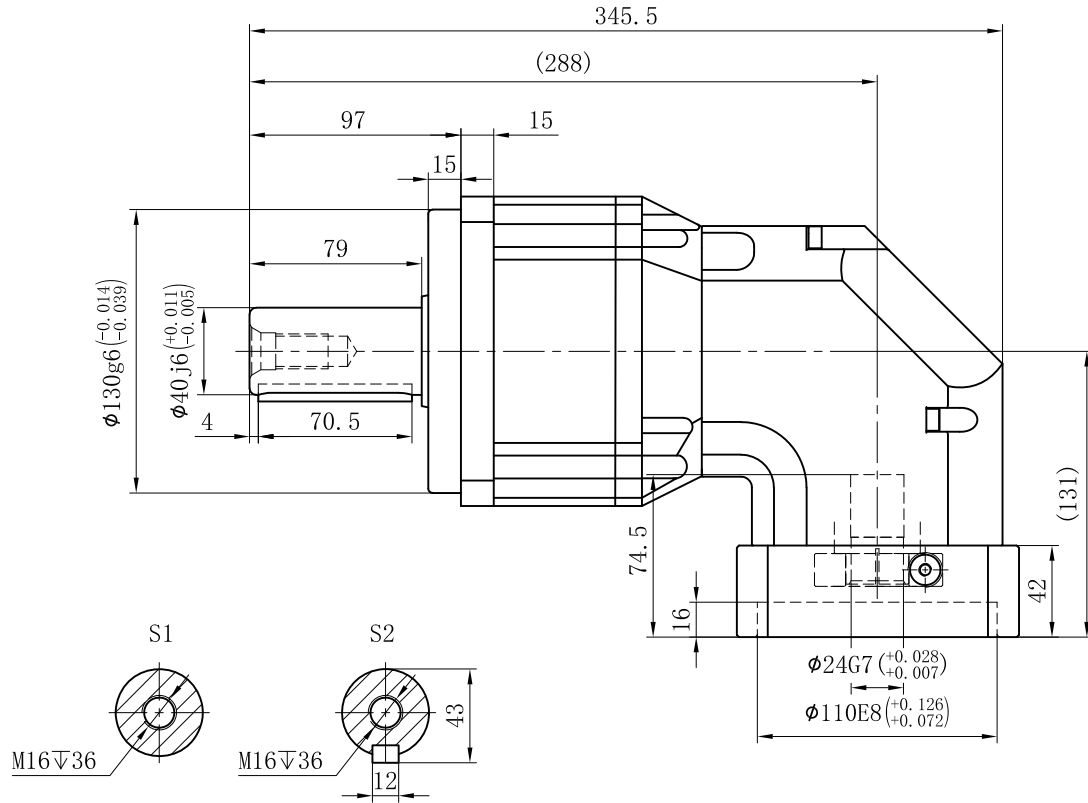
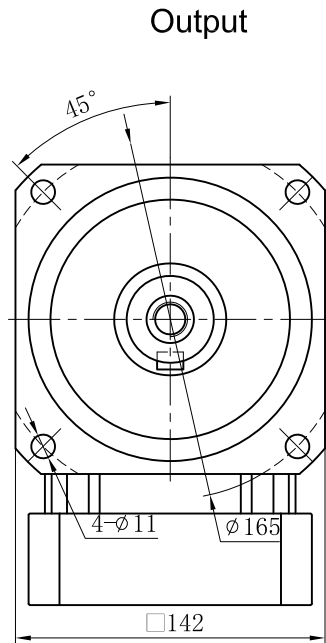


Customer Name:



Transmission Ratio	( <u> A</u> ):1	Mass Moments Of Inertia	( <u> B</u> )Kg.cm <sup>2</sup>	25	6.84	650	1170	Sign/Date	80	6.84	500	900	
Rated Output Torque	( <u> C</u> )Nm	Max Output Torque	( <u> D</u> )Nm	30	6.84	600	1080		100	6.84	460	828	
Rated Input Speed	3000rpm	Max Input Speed	6000rpm	35	6.84	555	999		120	6.25	600	1080	
Max Radial Force	9400N	Max Axial Force	4700N	40	6.84	500	900		140	6.25	555	999	
Efficiency	≥ 92%	Operating Temperature	-20°~+90°	50	6.84	650	1170		160	6.25	500	900	
Mounting Position	Any	Lubrication Method	Synthetic grease	60	6.84	600	1080		200	6.25	460	828	
Weight ±3%	21.4Kg	Service Life	20000h	70	6.84	555	999						
Standard Backlash	≤ 9 arcmin	Protection Class	IP65	Ratio	A	B	C	D	Ratio	A	B	C	D
Motor Power	-- KW	Noise Level	70dB	Note					Precision Planetary Reducer	TBR142			
Motor Dimensions				Mark	No.	Sign	Date			TBR142-L2			
										Shaft Type	Precision		

Above specifications are for standard reducer and may be subject to change without notice.