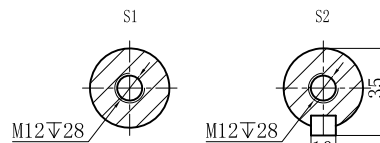
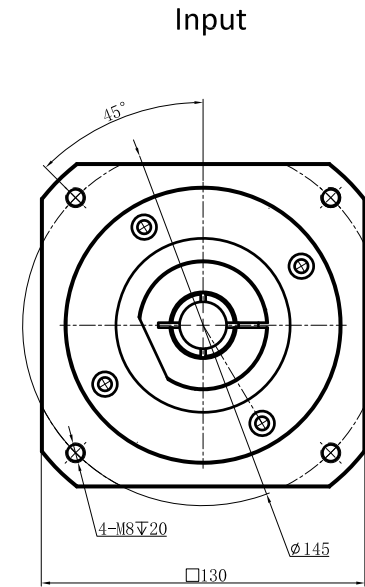
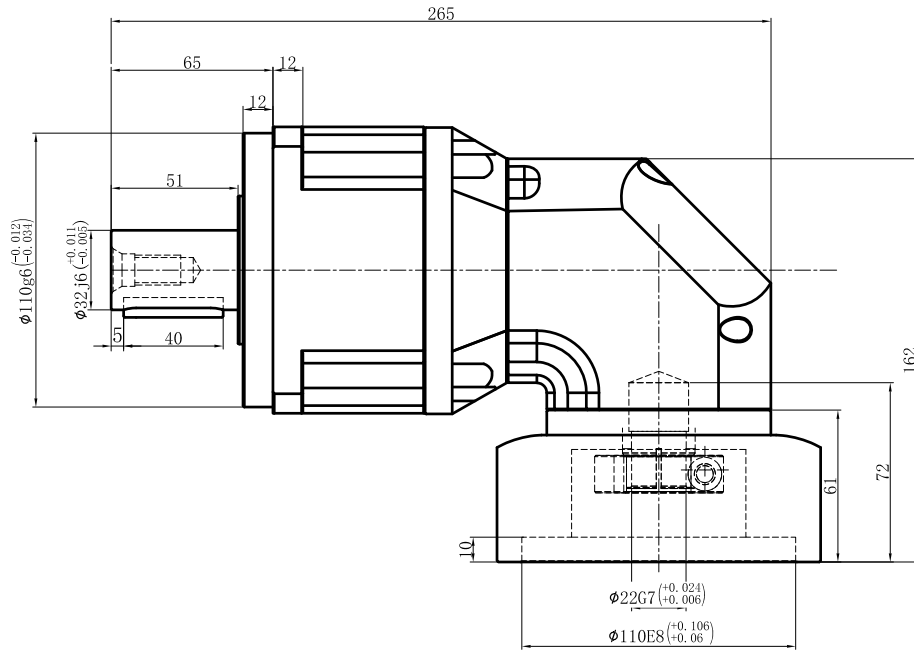
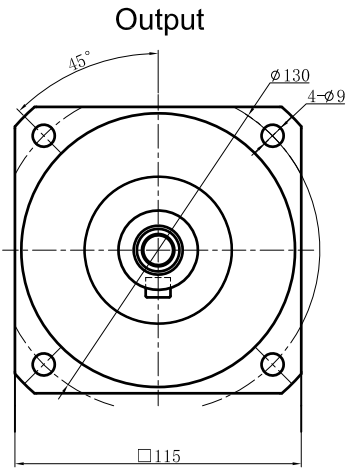


Customer name:



Transmission ratio	(A):1	Mass moments of inertia	(B)Kg.cm ²
Rated output torque	(C)Nm	Max.Output torque	(D)Nm
Rated input speed	4000rpm	Max input speed	8000rpm
Max.radial force	6700N	Max.axial force	3350N
Efficiency	≥ 92%	Operating temperature	-20°~+90°
Mounting position	Any	Lubrication method	Synthetic grease
Weight ±3%	12.5Kg	Service life	20000h
Standard backlash	≤ 9 arcmin	Protection class	IP65
Motor power		Noise level	68dB
Motor dimensions			

	60	2.25	310	558	Sign/Date
	50	2.25	330	594	
	40	2.25	260	468	
	35	2.25	300	540	
	30	2.25	310	558	
Ratio	A	B	C	D	

	200	1.87	235	423
	180	1.87	230	414
	160	1.87	260	468
	140	1.87	300	540
	120	1.87	310	558
	100	2.25	235	423
	80	2.25	260	468
	70	2.25	300	540
Ratio	A	B	C	D

NOTE					Precision Planetary Reducer		TBR115	
Mark	No.	Sign	Date			TBR115-L2		
	DRAW					Shaft Type		Precision
	CHEC							
	APPR							
	RULE							