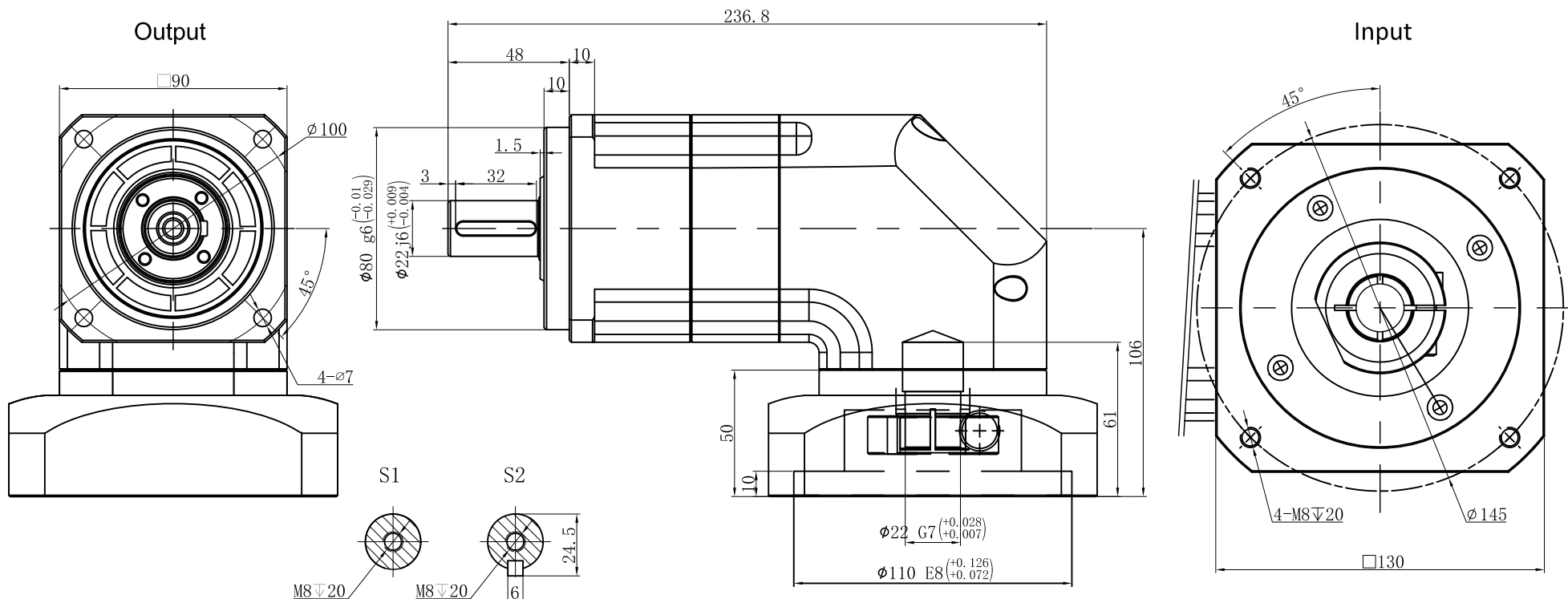


Customer name:



Transmission ratio		( A ):1		Mass moments of inertia		( B )Kg.cm <sup>2</sup>		Sign/Date							
								200	1.87	102	183				
Rated output torque		( C )Nm		Max.output torque		( D )Nm									
								160	1.87	123	216				
								140	1.87	140	250				
								120	1.87	148	266				
								100	2.25	102	183				
								80	2.25	123	221				
								70	2.25	140	250				
Rated input speed		4000rpm		Max input speed		8000rpm		Ratio							
								Ratio	A	B	C	D			
Max.radial force		3250N		Max.axial force		1625N		Note							
Efficiency		≥ 92%		Operating temperature		-20°~+90°		Precision planetary reducer							
												TBR090			
Mounting position		Any		Lubrication method		Synthetic grease		Mark							
								No.	Sign	Date	TBR090-L2				
Weight ±3%		6.3Kg		Service life		20000h		DRAW CHEC APPR RULE				Shaft Type Precision			
Standard backlash		≤ 9 arcmin		Protection class		IP65									
Motor power				Noise level		65dB									
Motor dimensions															

Above specifications are for standard reducer and may be subject to change without notice.