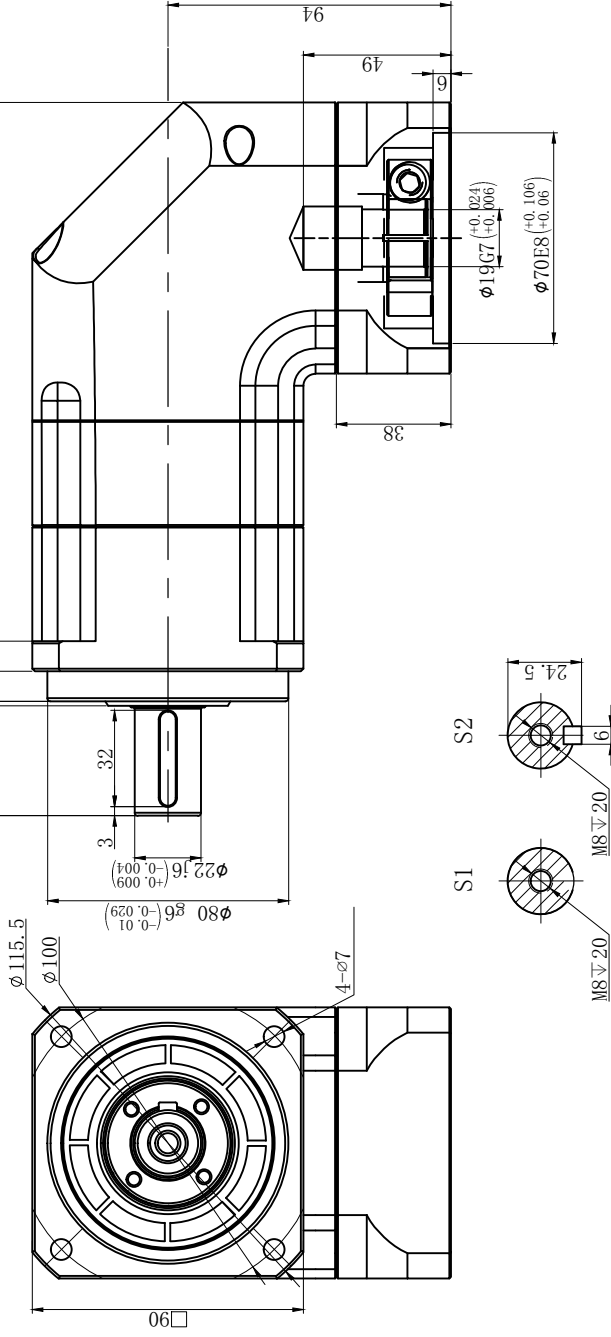
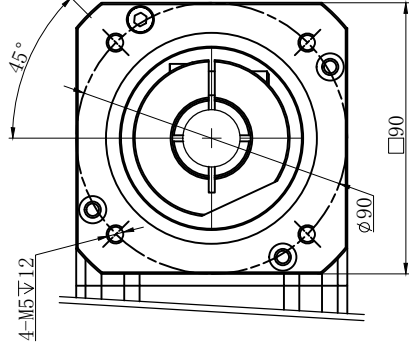


Customer name:

Output



Input



Transmission ratio (A):1	Mass moments of inertia (B)Kg.cm ²	Ratio	A	B	C	D	Sign/Date	Ratio	A	B	C	D
Rated output torque (C)Nm	Max.output torque (D)Nm	60	2.25	148	266	200	1.87	102	183	Precision planetary reducer		
Rated input speed 4000rpm	Max input speed 8000rpm	50	2.25	150	270	160	1.87	123	221	TBR090		
Max.radial force 3250N	Max.axial force 1625N	40	2.25	120	210	140	1.87	140	250	TBR090-L2		
Efficiency ≥ 92%	Operating temperature -20°~+90°	35	2.25	140	250	120	2.25	148	266	Shaft Type Precision		
Mounting position Any	Lubrication method Synthetic grease	30	2.25	148	266	100	2.25	102	183	GearKO®		
Weight ±3% 6.3Kg	Service life 20000h	25	2.25	150	270	80	2.25	123	221	DRAW		
Standard backlash ≤ 9 arcmin	Protection class IP65									CHFC		
Motor power	Noise level 65dB									APPR		
Motor dimensions										RULE		

Note

Above specifications are for standard reducer and may be subject to change without notice.