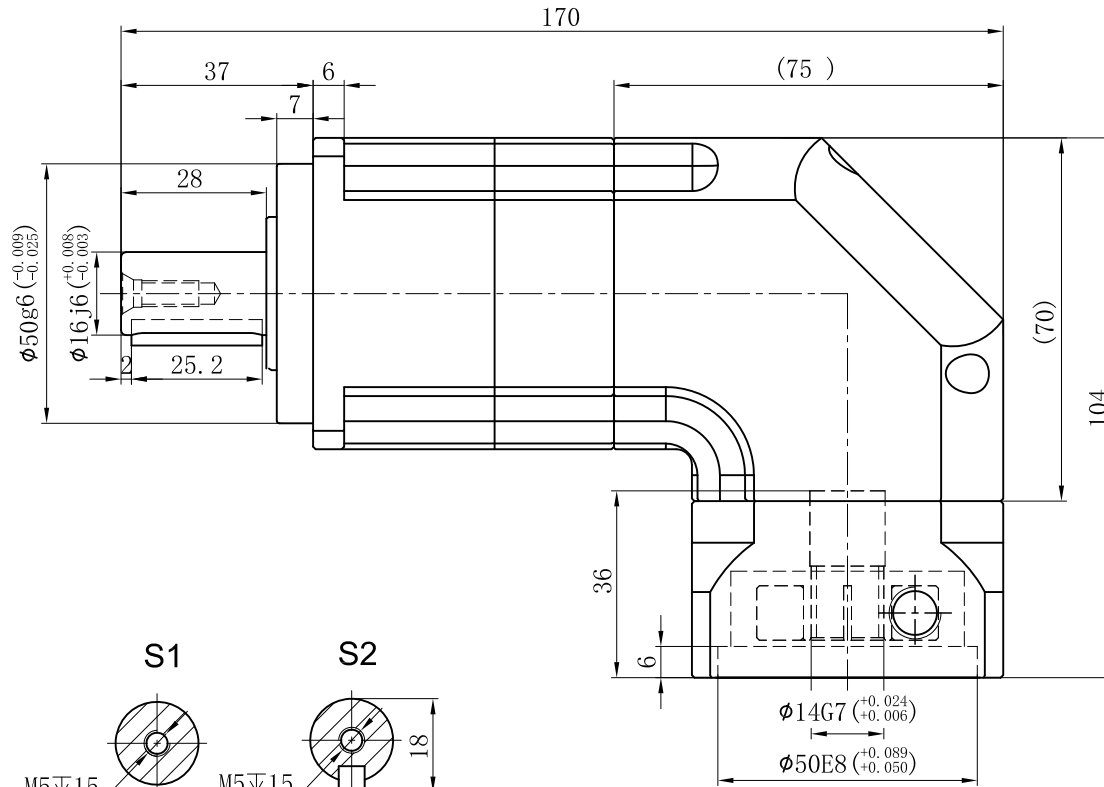
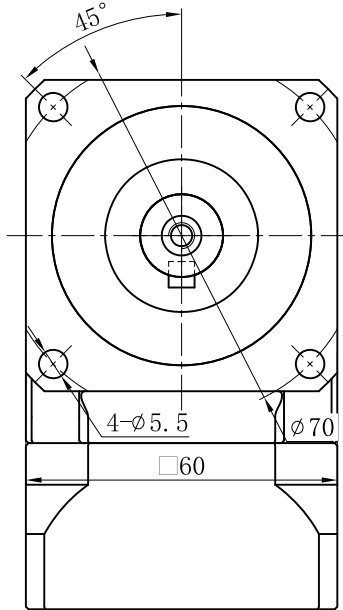
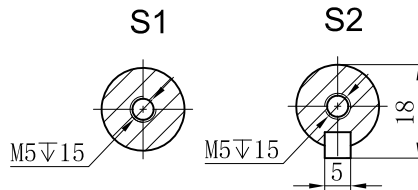
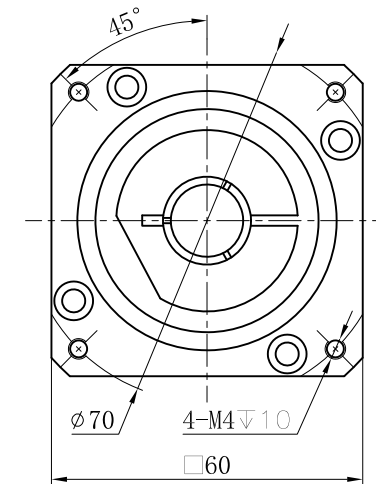


Customer Name:

Output



Input



Transmission Ratio	(A):1	Mass Moments Of Inertia	(B)Kg.cm ²	25	0.09	58	104.4	Sign/Date	80	0.09	45	81	
Rated Output Torque	(C)Nm	Max Output Torque	(D)Nm	30	0.09	55	99		100	0.09	42	75.6	
Rated Input Speed	5000rpm	Max Input Speed	10000rpm	35	0.09	50	90		120	0.09	55	99	
Max Radial Force	1530N	Max Axial Force	765N	40	0.09	45	81		140	0.09	50	90	
Efficiency	≥ 92%	Operating Temperature	-20°~+90°	50	0.09	58	104.4		160	0.09	45	81	
Mounting Position	Any	Lubrication Method	Synthetic grease	60	0.09	55	99		200	0.09	42	75.6	
Weight ±3%	2.5Kg	Service Life	20000h	70	0.09	50	90						
Standard Backlash	≤ 9 arcmin	Protection Class	IP65	Ratio	A	B	C	D	Ratio	A	B	C	D
Motor Power	-- KW	Noise Level	63dB	Note					Precision Planetary Reducer	TBR060			
Motor Dimensions										TBR060-L2			
										Shaft Type	Precision		

Above specifications are for standard reducer and may be subject to change without notice.