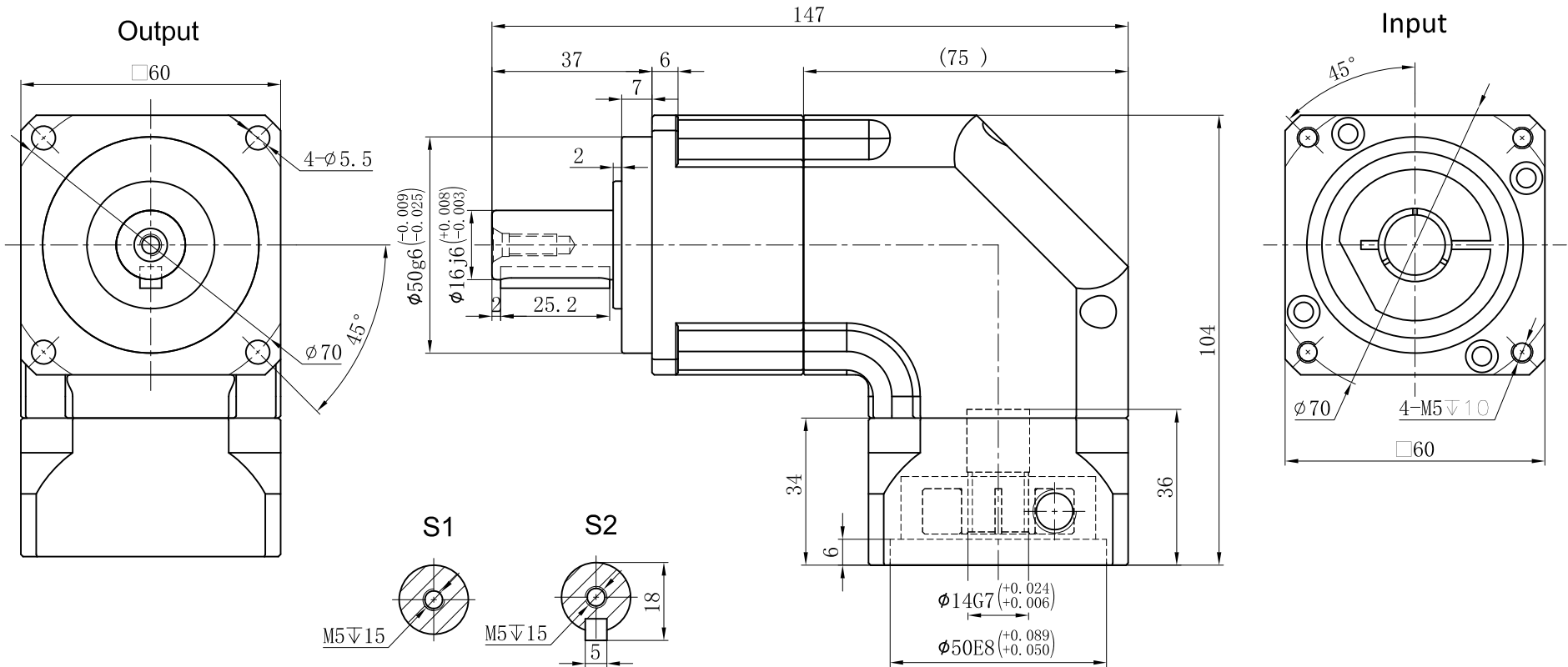


Customer Name:



Transmission Ratio	(<u>A</u>):1	Mass Moments Of Inertia	(<u>B</u>)Kg.cm ²
Rated Output Torque	(<u>C</u>)Nm	Max Output Torque	(<u>D</u>)Nm
Rated Input Speed	5000rpm	Max Input Speed	10000rpm
Max Radial Force	1530N	Max Axial Force	765N
Efficiency	≥ 95%	Operating Temperature	-20°~+90°
Mounting Position	Any	Lubrication Method	Synthetic grease
Weight ±3%	2Kg	Service Life	20000h
Standard Backlash	≤ 6 arcmin	Protection Class	IP65
Motor Power	-- KW	Noise Level	63dB
Motor Dimensions			

	8	0.35	45	81	Sign/Date						
	7	0.35	50	90			20	0.07	42	75.6	
	6	0.35	55	99			16	0.07	45	81	
	5	0.35	58	104.4			14	0.07	42	75.6	
	4	0.35	48	86.4			12	0.07	55	99	
	3	0.35	50	90			10	0.35	42	75.6	
Ratio	A	B	C	D		Ratio	A	B	C	D	
Note						Precision Planetary Reducer	TBR060				
	Mark	No.	Sign	Date			TBR060-L1				
							Shaft Type	Precision			

Above specifications are for standard reducer and may be subject to change without notice.