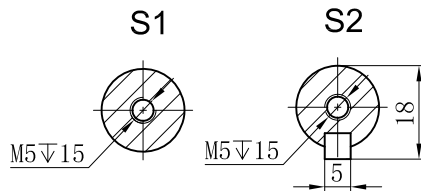
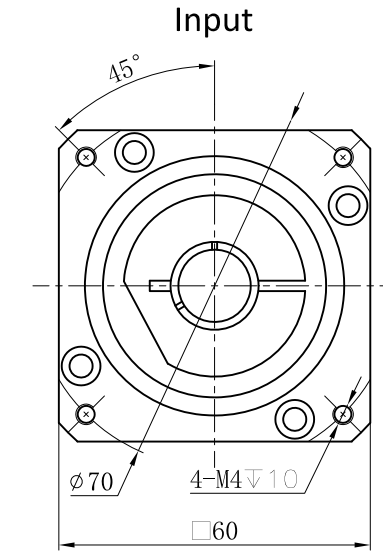
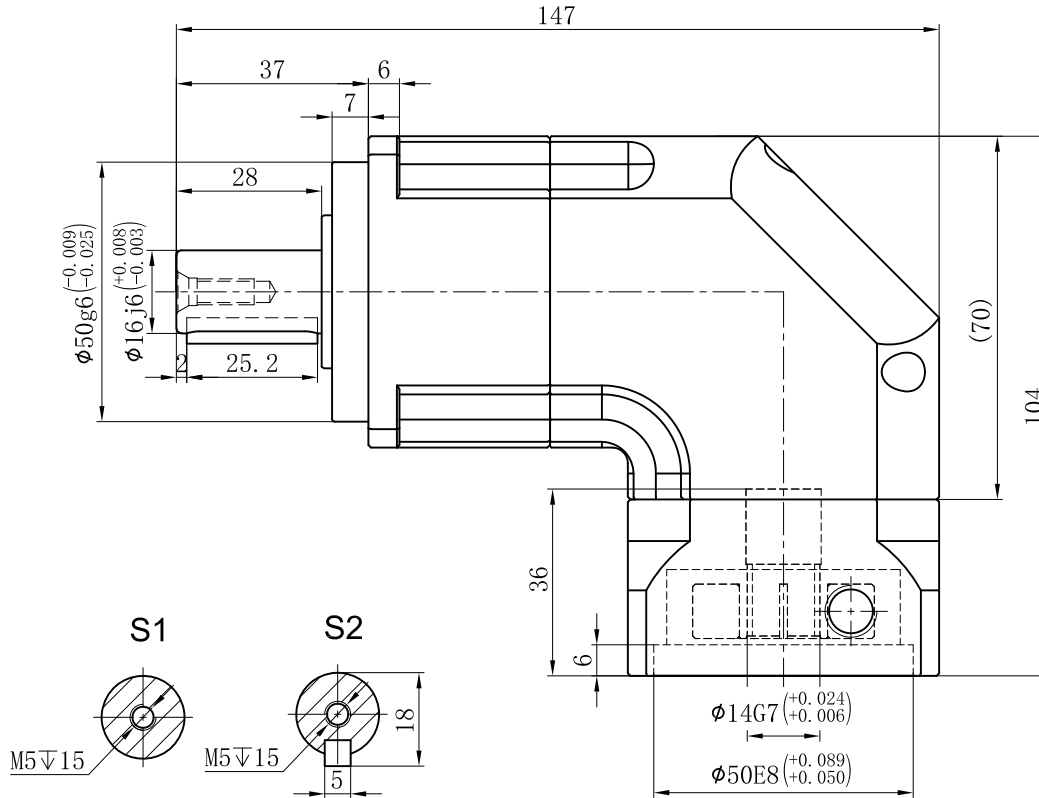
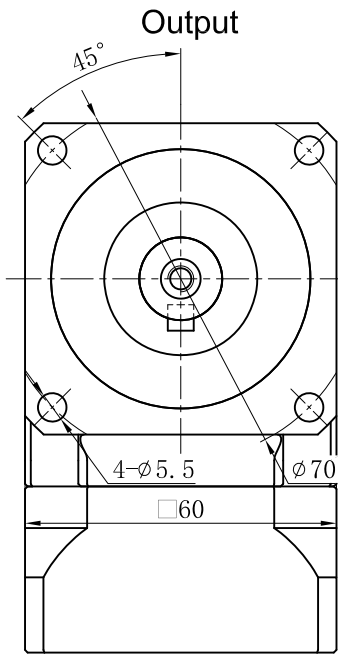


Customer Name:



Transmission Ratio	( <u> A</u> ):1	Mass Moments Of Inertia	( <u> B</u> )Kg.cm <sup>2</sup>
Rated Output Torque	( <u> C</u> )Nm	Max Output Torque	( <u> D</u> )Nm
Rated Input Speed	5000rpm	Max Input Speed	10000rpm
Max Radial Force	1530N	Max Axial Force	765N
Efficiency	≥ 95%	Operating Temperature	-20°~+90°
Mounting Position	Any	Lubrication Method	Synthetic grease
Weight ±3%	2Kg	Service Life	20000h
Standard Backlash	≤ 6 arcmin	Protection Class	IP65
Motor Power	-- KW	Noise Level	63dB
Motor Dimensions			

	3	0.35	50	90	Sign/Date	10	0.35	42	75.6	
	4	0.35	48	86.4		12	0.07	55	99	
	5	0.35	58	104.4		14	0.07	42	75.6	
	6	0.35	55	99		16	0.07	45	81	
	7	0.35	50	90		20	0.07	42	75.6	
	8	0.35	45	81						
Ratio	A	B	C	D		Ratio	A	B	C	D

Note					Precision Planetary Reducer	TBR060	
	Mark	No.	Sign	Date			
	DRAW					TBR060-L1	
	CHEC						
	APPR					Shaft Type	Precision
	RULE						

Above specifications are for standard reducer and may be subject to change without notice.