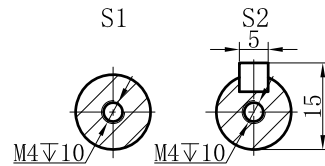
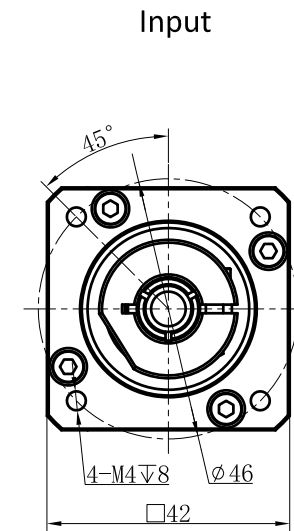
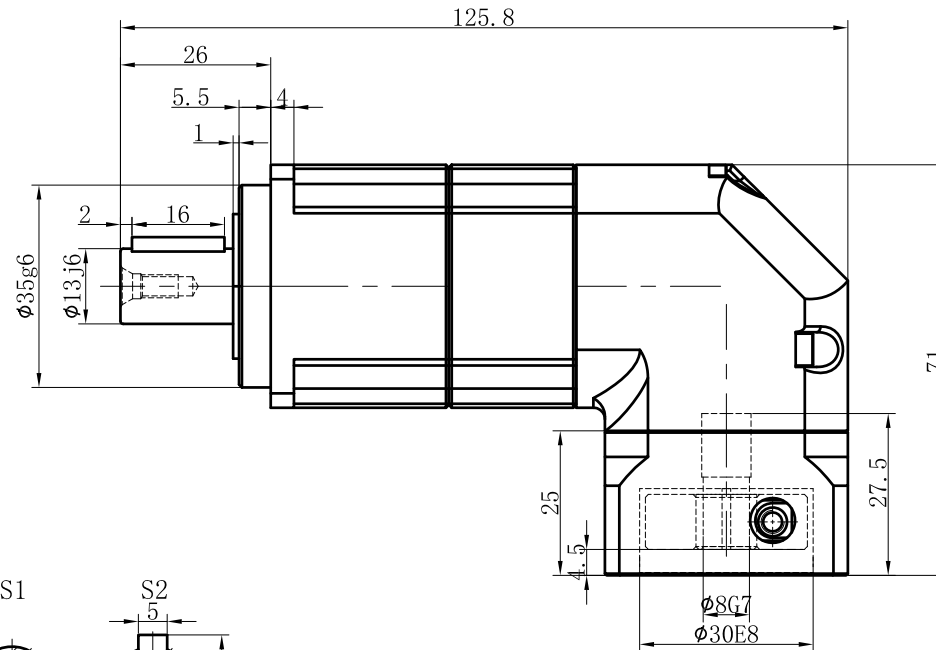
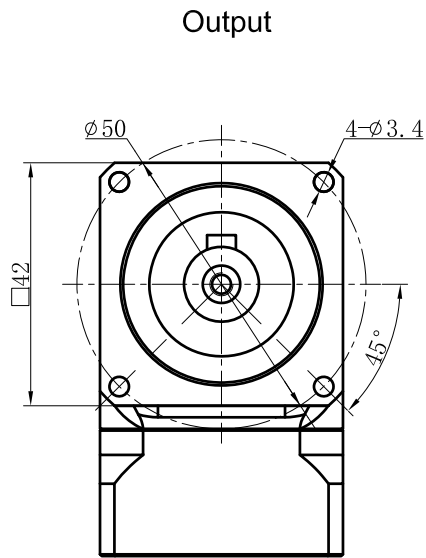


Customer name:



Transmission ratio	( A ):1	Mass moments of inertia	( B )Kg.cm <sup>2</sup>	50	0.09	18	32.4	Sign/Date	100	0.09	14	25.2	
Rated output torque	( C )Nm	Max.Output torque	( D )Nm	35	0.09	19	34.2		70	0.09	19	34.2	
Rated input speed	5000rpm	Max input speed	10000rpm	25	0.09	18	32.4						
Max.radial force	780N	Max.axial force	390N	20	0.09	15	27						
Efficiency	≥ 92%	Operating temperature	-20°~+90°	Ratio	A	B	C	D	Ratio	A	B	C	D
Mounting position	Any	Lubrication method	Synthetic grease	NOTE				Precision Planetary Reducer		TBR042			
Weight ±3%	0.9Kg	Service life	20000h					Mark		TBR042-L2			
Standard backlash	≤ 9 arcmin	Protection class	IP65					No.					
Motor power		Noise level	61dB					Sign					
Motor dimensions								Date					
								DRAW					
								CHEC					
								APPR					
								RULE					



Above specifications are for standard reducer and may be subject to change without notice.