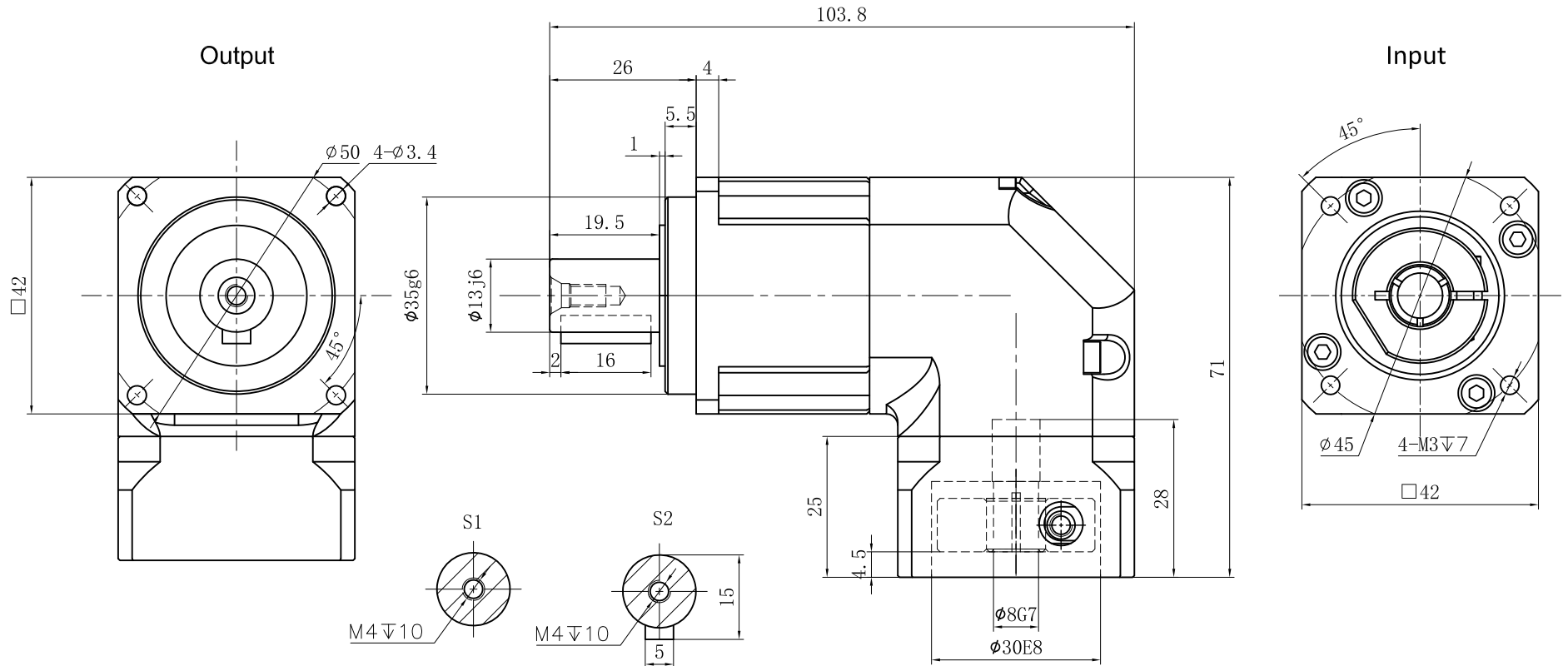


Customer name:



Transmission ratio	(A):1	Mass moments of inertia	(B)Kg.cm ²
Rated output torque	(C)Nm	Max.Output torque	(D)Nm
Rated input speed	5000rpm	Max input speed	10000rpm
Max.radial force	780N	Max.axial force	390N
Efficiency	≥ 95%	Operating temperature	-20°~+90°
Mounting position	Any	Lubrication method	Synthetic grease
Weight ±3%	0.7Kg	Service life	20000h
Standard backlash	≤ 6 arcmin	Protection class	IP65
Motor power		Noise level	61dB
Motor dimensions			

	10	0.09	14	25	Sign/Date					
	7	0.09	19	34						
	5	0.09	18	32						
	4	0.09	15	27						
Ratio	A	B	C	D		Ratio	A	B	C	D

NOTE				Precision Planetary Reducer		TBR042	
						TBR042-L1	
						Shaft Type Precision	

