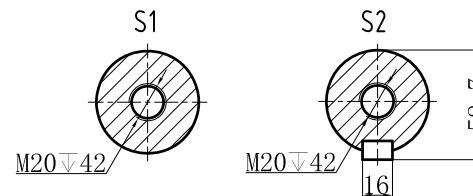
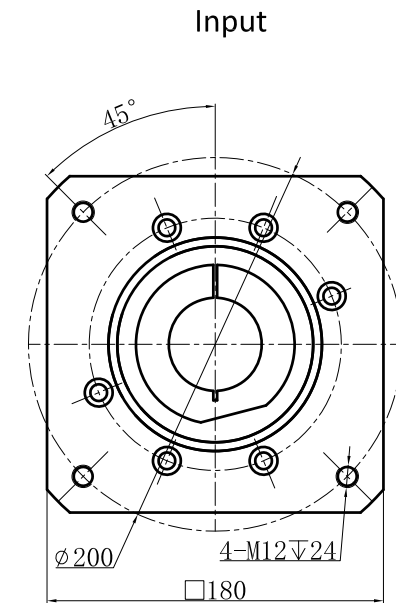
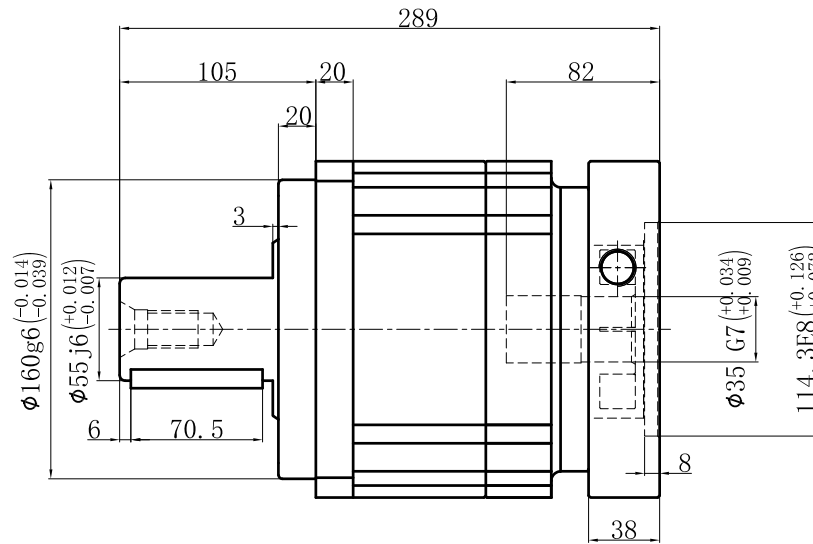
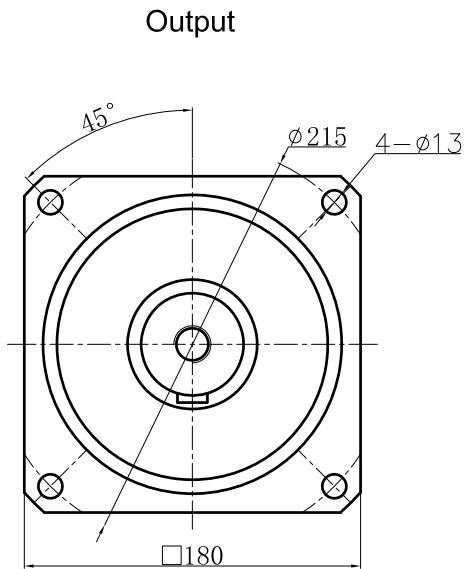


Customer name:



Transmission ratio	(<u> A </u>):1	Mass moments of inertia	(<u> B </u>)Kg.cm ²
Rated output torque	(<u> C </u>)Nm	Max.output torque	(<u> D </u>)Nm
Rated input speed	3000rpm	Max input speed	6000rpm
Max.radial force	14500N	Max.axial force	7250N
Efficiency	≥ 97%	Operating temperature	-20°~90°
Mounting position	Any	Lubrication method	Synthetic grease
Weight ±3%	27Kg	Service life	20000h
Standard backlash	≤ 5 arcmin	Protection class	IP65
Motor power		Noise level	66dB
Motor dimensions			

	6	22.75	1108	1994.4	Sign/Date					
	5	23.29	1200	2160			10	22.51	910	1638
	4	23.67	1050	1890			8	22.59	1000	1800
	3	28.98	590	1062			7	22.48	1100	1980
Ratio	A	B	C	D		Ratio	A	B	C	D
Note						Precision planetary reducer	TB180			
Mark	No.	Sign	Date			TB180-L1				
	DRAW					Shaft Type	Precision			
	CHEC									
	APPR									
	RULE									

Above specifications are for standard reducer and may be subject to change without notice.