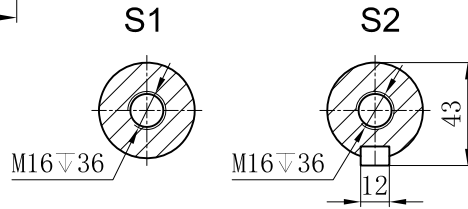
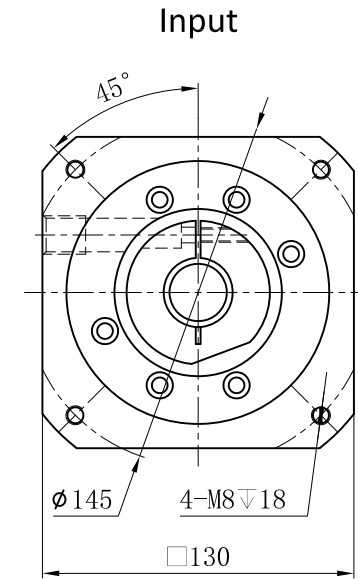
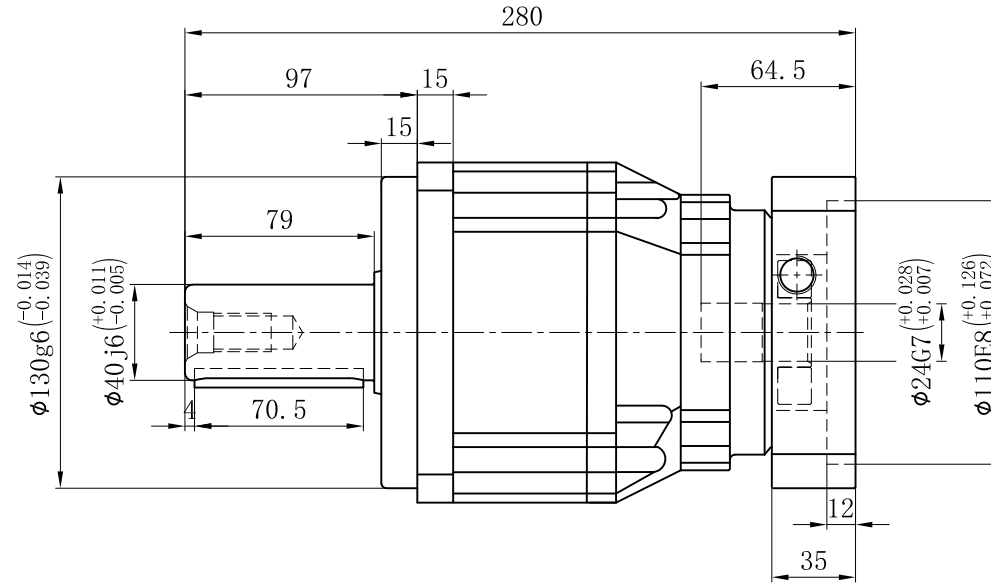
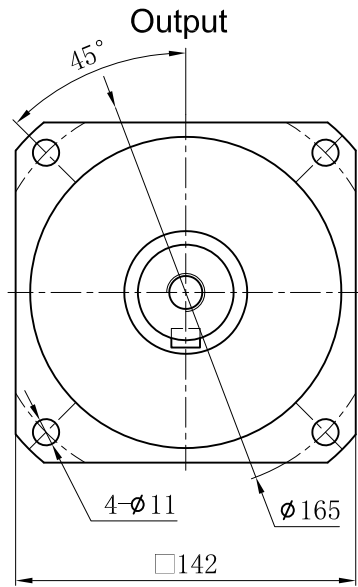


Customer Name:



Transmission Ratio	(<u> A </u>):1	Mass Moments Of Inertia	(<u> B </u>)Kg.cm ²											
Rated Output Torque	(<u> C </u>)Nm	Max Output Torque	(<u> D </u>)Nm	15	2.71	340	612	Sign/Date	50	2.57	650	1170		
Rated Input Speed	3000rpm	Max Input Speed	6000rpm	20	2.71	545	981		60	2.57	600	1080		
Max Radial Force	9400N	Max Axial Force	4700N	25	2.71	650	1170		70	2.57	555	999		
Efficiency	≥ 94%	Operating Temperature	-20°~+90°	30	2.71	600	1080		80	2.57	500	900		
Mounting Position	Any	Lubrication Method	Synthetic grease	35	2.71	555	999		100	2.57	460	828		
Weight ±3%	16.4Kg	Service Life	20000h	40	2.71	500	900							
Standard Backlash	≤ 7 arcmin	Protection Class	IP65	Ratio	A	B	C	D	Ratio	A	B	C	D	
Motor Power	-- KW	Noise Level	65dB	Note										
Motor Dimensions														

Above specifications are for standard reducer and may be subject to change without notice.

