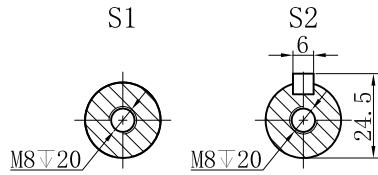
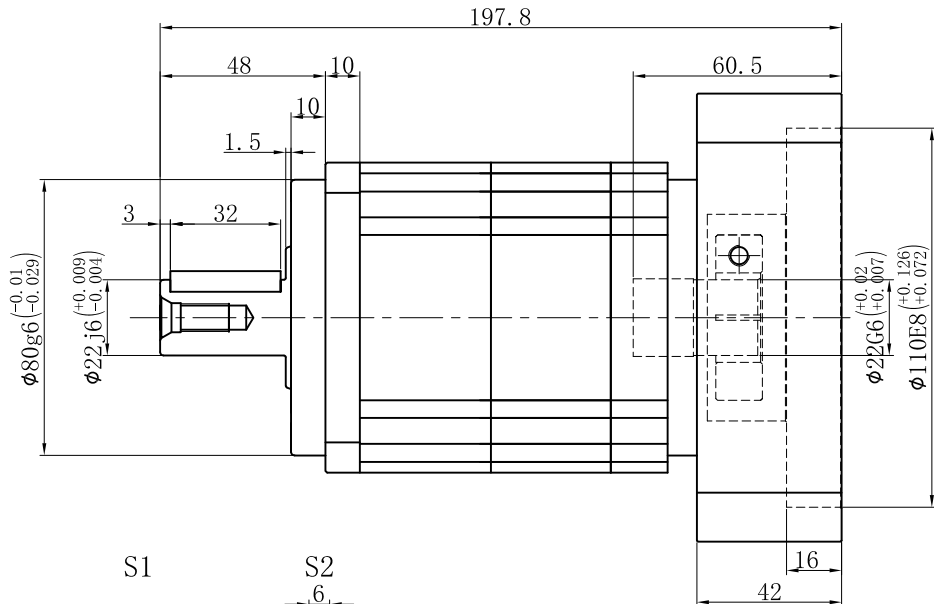
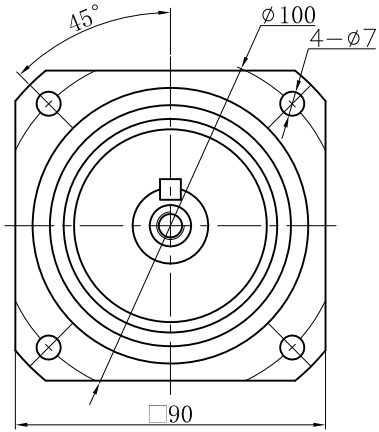
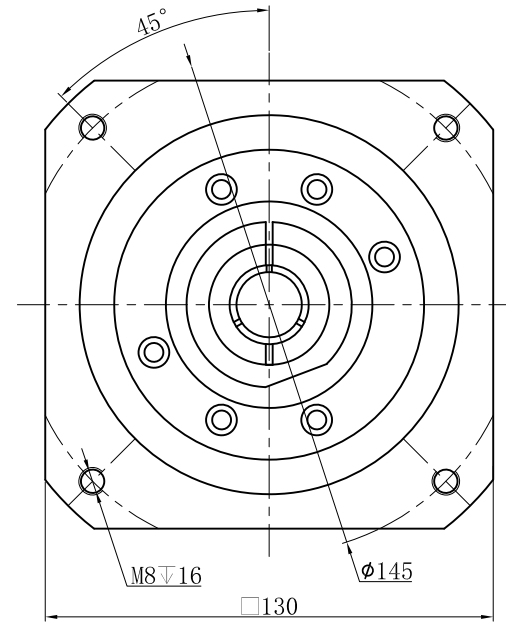


Customer name:

Output



Input



Transmission ratio	( A ):1	Mass moments of inertia	( B )Kg.cm <sup>2</sup>
Rated output torque	( C )Nm	Max.output torque	( D )Nm
Rated input speed	4000rpm	Max input speed	8000rpm
Max.radial force	3250N	Max.axial force	1625N
Efficiency	≥ 94%	Operating temperature	-20°~+90°
Mounting position	Any	Lubrication method	Synthetic grease
Weight ±3%	4.5Kg	Service life	20000h
Standard backlash	≤ 7 arcmin	Protection class	IP65
Motor power		Noise level	63dB
Motor dimensions			

	40	0.44	123	221.4
	35	0.47	140	252
	30	0.47	148	266.4
	25	0.47	160	288
	20	0.47	140	252
	15	0.47	130	234
Ratio	A	B	C	D

Sign/Date					
		100	0.44	102	183.6
		80	0.44	123	221.4
		70	0.44	140	252
		60	0.44	148	266.4
		50	0.44	160	288
Ratio	A	B	C	D	

Note				
	Mark	No.	Sign	Date
	DRAW			
	CHEC			
	APPR			
	RULE			

Precision planetary reducer	TB090			
	TB090-L2			
	Shaft Type	Precision		