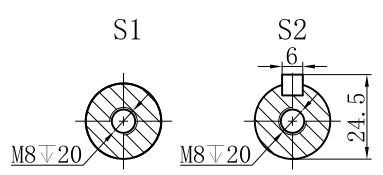
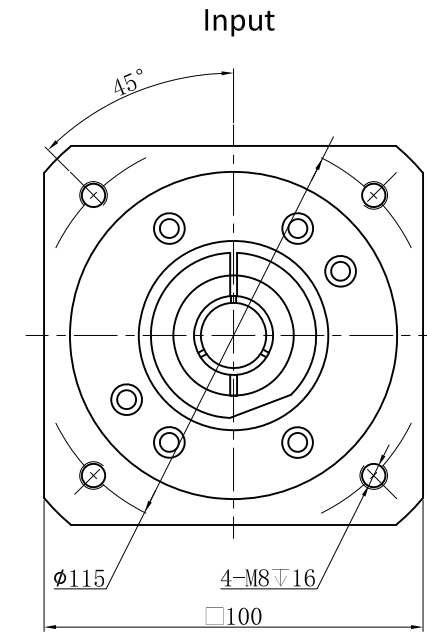
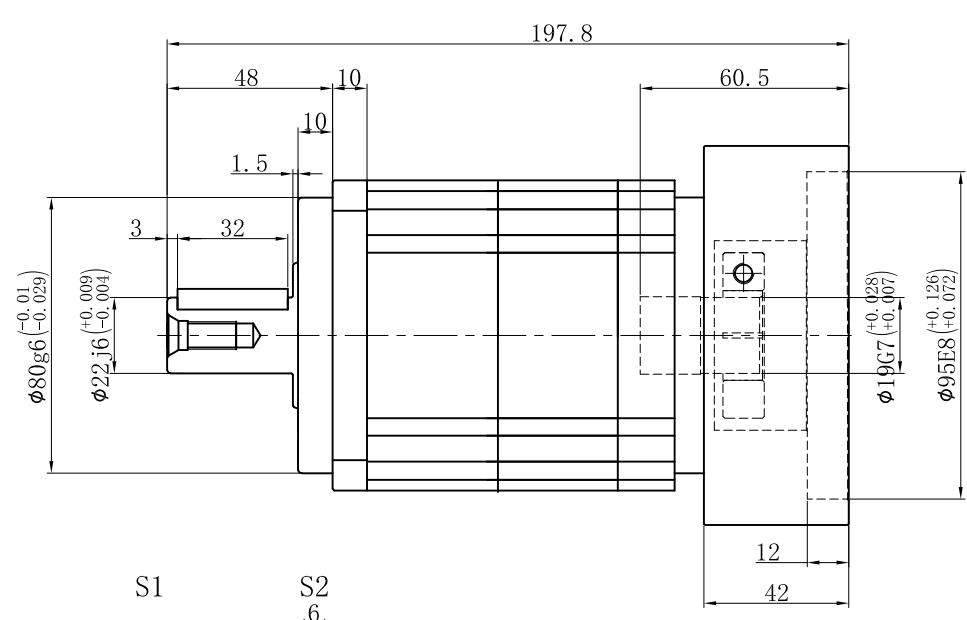
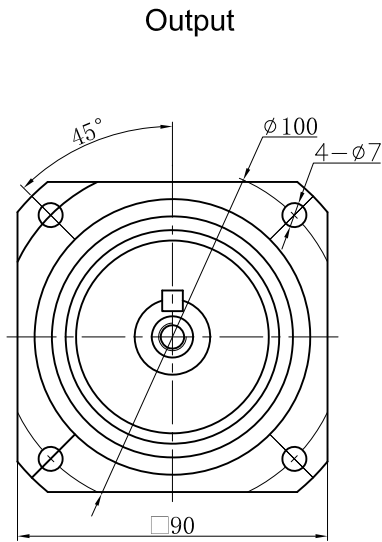


Customer name:



Transmission ratio	(<u> A</u>):1	Mass moments of inertia	(<u> B</u>)Kg.cm ²
Rated output torque	(<u> C</u>)Nm	Max.output torque	(<u> D</u>)Nm
Rated input speed	4000rpm	Max input speed	8000rpm
Max.radial force	3250N	Max.axial force	1625N
Efficiency	≥ 94%	Operating temperature	-20°~+90°
Mounting position	Any	Lubrication method	Synthetic grease
Weight ±3%	4.5Kg	Service life	20000h
Standard backlash	≤ 7 arcmin	Protection class	IP65
Motor power		Noise level	63dB
Motor dimensions			

	40	0.44	123	221.4	Sign/Date						
	35	0.47	140	252			100	0.44	102	183.6	
	30	0.47	148	266.4			80	0.44	123	221.4	
	25	0.47	160	288			70	0.44	140	252	
	20	0.47	140	252			60	0.44	148	266.4	
	15	0.47	130	234			50	0.44	160	288	
Ratio	A	B	C	D		Ratio	A	B	C	D	
Note						Precision planetary reducer	TB090				
Mark	No.	Sign	Date				TB090-L2				
							Shaft Type	Precision			

Above specifications are for standard reducer and may be subject to change without notice.