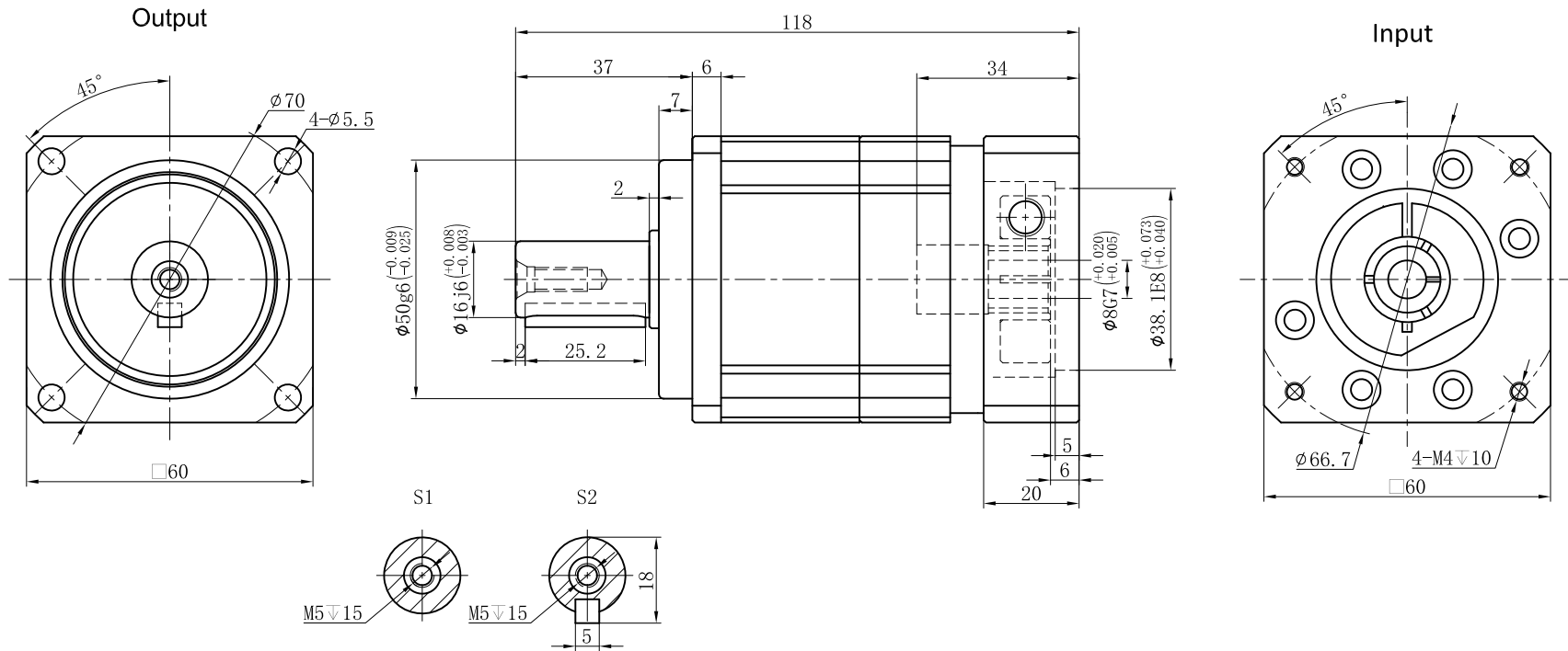


Customer Name:



Transmission Ratio	(<u> A </u>):1	Mass Moments Of Inertia	(<u> B </u>)Kg.cm ²
Rated Output Torque	(<u> C </u>)Nm	Max Output Torque	(<u> D </u>)Nm
Rated Input Speed	5000rpm	Max Input Speed	10000rpm
Max Radial Force	1530N	Max Axial Force	765N
Efficiency	≥ 97%	Operating Temperature	-20°~+90°
Mounting Position	Any	Lubrication Method	Synthetic grease
Weight ±3%	1.3Kg	Service Life	20000h
Standard Backlash	≤ 5 arcmin	Protection Class	IP65
Motor Power	-- KW	Noise Level	58dB
Motor Dimensions			

	6	0.13	55	99	Sign/Date					
	5	0.13	58	104.4			10	0.13	42	75.6
	4	0.14	50	90			8	0.13	45	81
	3	0.16	52	93.6			7	0.13	50	90
Ratio	A	B	C	D		Ratio	A	B	C	D
Note						Precision Planetary Reducer	TB060			
Mark	No.	Sign	Date				TB060-L1			
	DRAW						Shaft Type	Precision		
	CHEC									
	APPR									
	RULE									

Above specifications are for standard reducer and may be subject to change without notice.