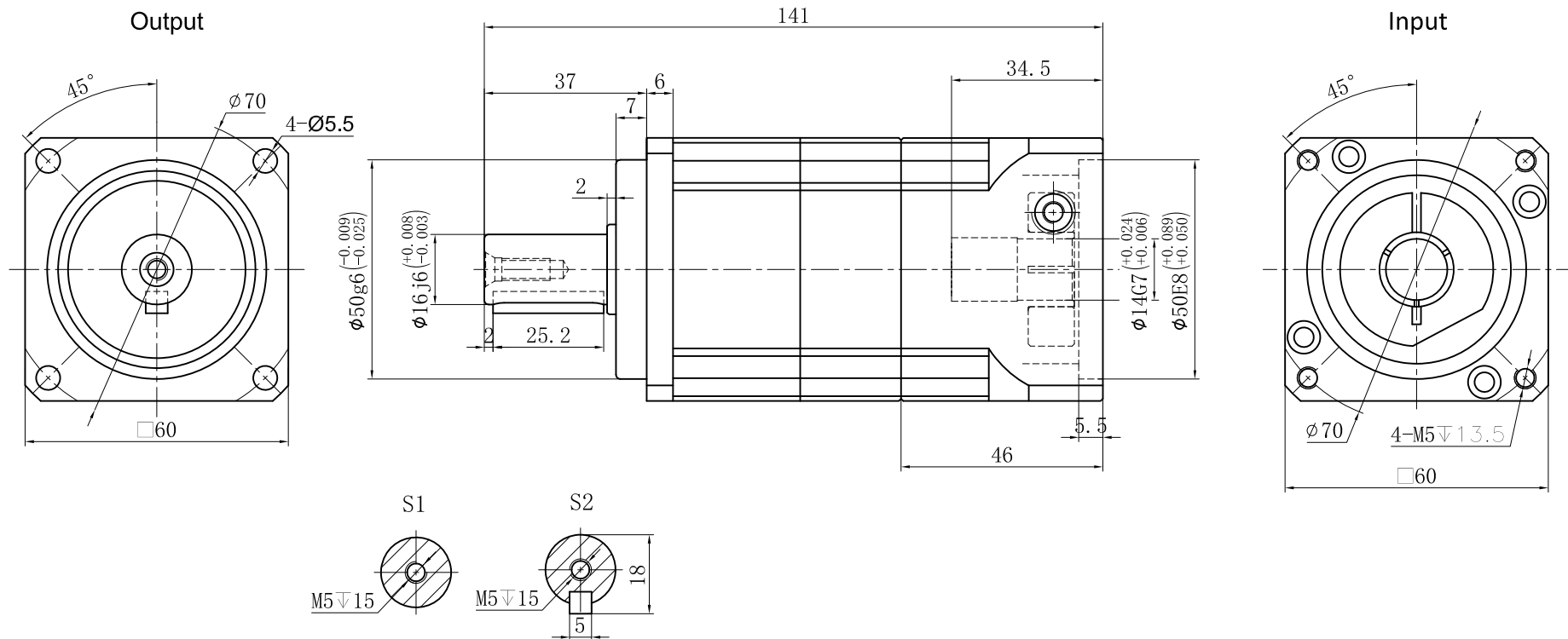


Customer Name:



Transmission Ratio	(A):1	Mass Moments Of Inertia	(B)Kg.cm ²	40	0.13	45	81	Sign/Date					
Rated Output Torque	(C)Nm	Max Output Torque	(D)Nm	35	0.13	50	90		100	0.13	42	75.6	
Rated Input Speed	5000rpm	Max Input Speed	10000rpm	30	0.13	58	104.4		80	0.13	45	81	
Max Radial Force	1530N	Max Axial Force	765N	25	0.13	58	104.4		70	0.13	50	90	
Efficiency	≥ 94%	Operating Temperature	-20°~+90°	20	0.13	50	90		60	0.13	55	99	
Mounting Position	Any	Lubrication Method	Synthetic grease	15	0.13	52	93.6		50	0.13	58	104.4	
Weight ±3%	1.9Kg	Service Life	20000h	Ratio	A	B	C	D	Ratio	A	B	C	D
Standard Backlash	≤ 7 arcmin	Protection Class	IP65	Note						Precision Planetary Reducer	TB060		
Motor Power	-- KW	Noise Level	60dB	Mark	No.	Sign	Date				TB060-L2		
Motor Dimensions											Shaft Type	Precision	

Above specifications are for standard reducer and may be subject to change without notice.