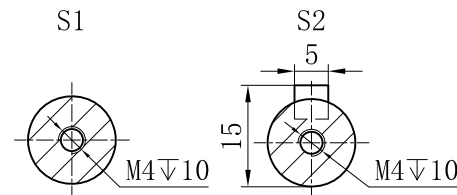
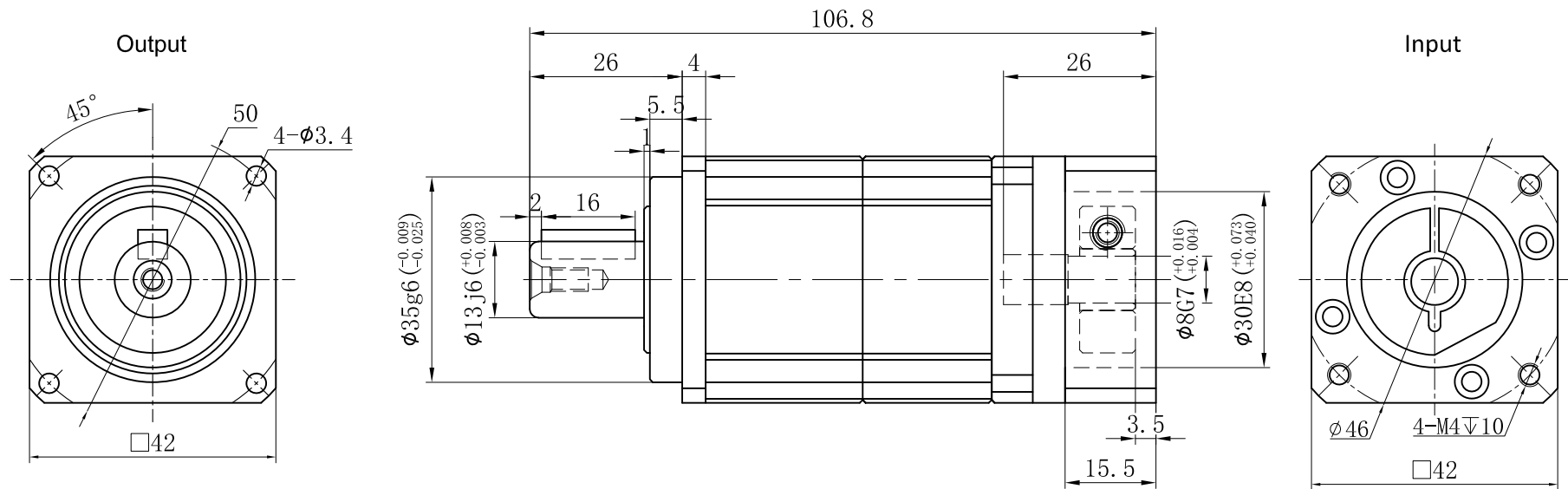


Customer name:



Transmission ratio	(A):1	Mass moments of inertia	(B)Kg.cm ²												
Rated output torque	(C)Nm	Max.Output torque	(D)Nm	40	0.03	17	30.6	Sign/Date	100	0.03	14	25.2			
Rated input speed	5000rpm	Max input speed	10000rpm	35	0.03	19	34.2		70	0.03	19	34.2			
Max.radial force	780N	Max.axial force	390N	25	0.03	20	36	Ratio	50	0.03	20	36			
Efficiency	≥ 94%	Operating temperature	-20°~+90°	20	0.03	19	34.2		Ratio	A	B	C	D		
Mounting position	Any	Lubrication method	Synthetic grease	NOTE											
Weight ±3%	0.7Kg	Service life	20000h												
Standard backlash	≤ 5 arcmin	Protection class	IP65												
Motor power		Noise level	55dB												
Motor dimensions															
				Precision Planetary Reducer				TB042							
				Mark				TB042-L2							
				No.				Shaft Type							
				Sign				Precision							
				Date											
				DRAW											
				CHEC											
				APPR											
				RULE											

Above specifications are for standard reducer and may be subject to change without notice.