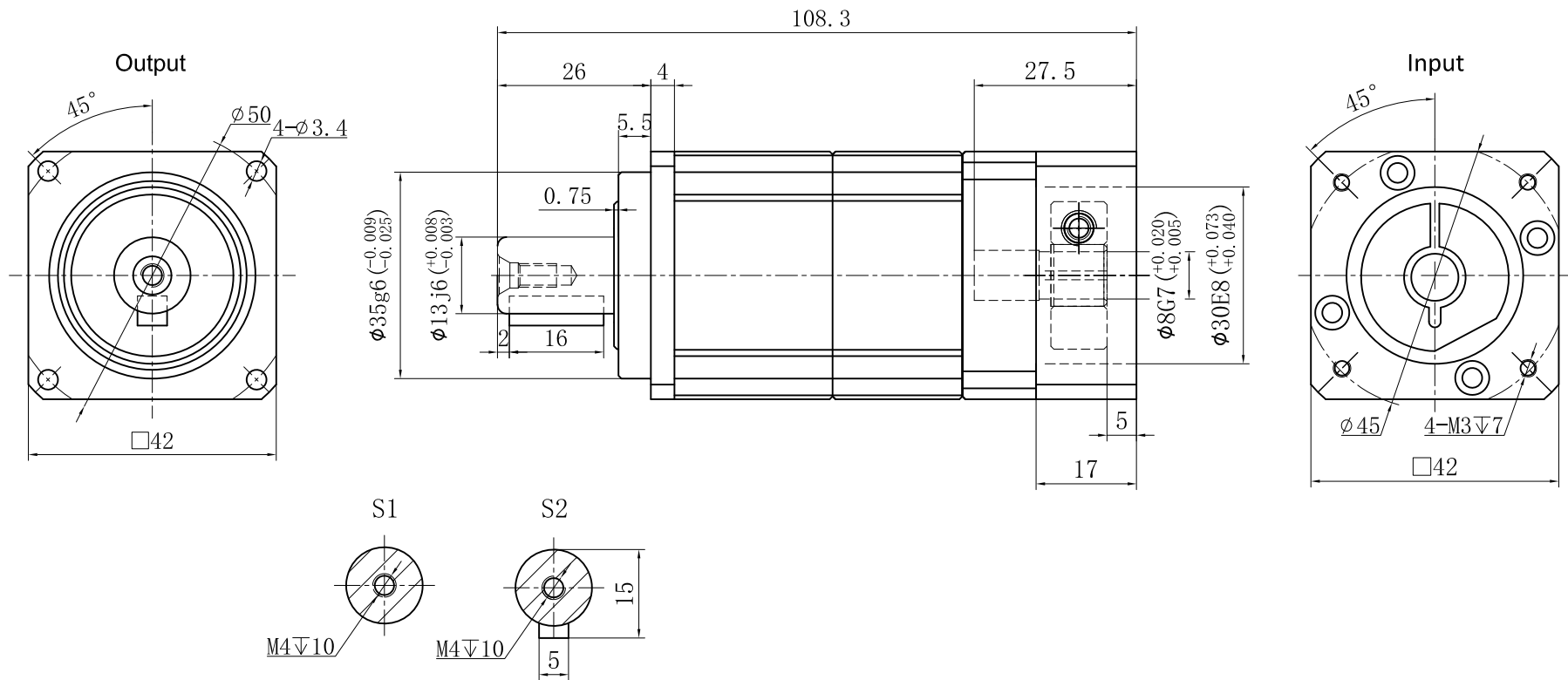


Customer name:



Transmission ratio	( A ):1	Mass moments of inertia	( B )Kg.cm <sup>2</sup>											
Rated output torque	( C )Nm	Max.Output torque	( D )Nm	40	0.03	17	30.6	Sign/Date	100	0.03	14	25.2		
Rated input speed	5000rpm	Max input speed	10000rpm	35	0.03	19	34.2		70	0.03	19	34.2		
Max.radial force	780N	Max.axial force	390N	25	0.03	20	36	Ratio	50	0.03	20	36		
Efficiency	≥ 94%	Operating temperature	-20°~+90°	20	0.03	19	34.2		Ratio	A	B	C	D	
Mounting position	Any	Lubrication method	Synthetic grease	NOTE										
Weight ±3%	0.7Kg	Service life	20000h											
Standard backlash	≤ 5 arcmin	Protection class	IP65											
Motor power		Noise level	55dB											
Motor dimensions														

Above specifications are for standard reducer and may be subject to change without notice.