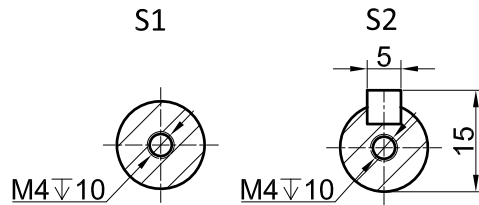
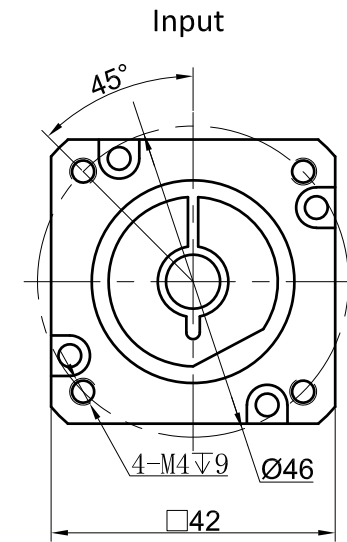
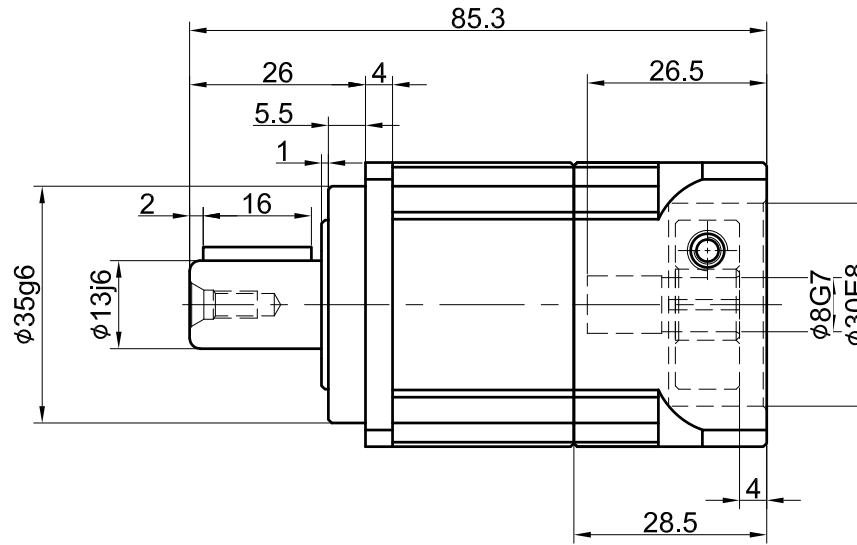
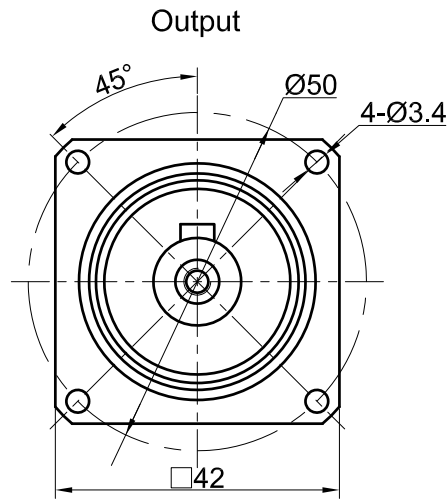


Customer name:



Transmission ratio	(A):1	Mass moments of inertia	(B)Kg.cm ²
Rated output torque	(C)Nm	Max.Output torque	(D)Nm
Rated input speed	5000rpm	Max input speed	10000rpm
Max.radial force	780N	Max.axial force	390N
Efficiency	≥ 97%	Operating temperature	-20°~+90°
Mounting position	Any	Lubrication method	Synthetic grease
Weight ±3%	0.5Kg	Service life	20000h
Standard backlash	≤ 5 arcmin	Protection class	IP65
Motor power		Noise level	55dB
Motor dimensions			

	10	0.03	14	25.2	Sign/Date					
	7	0.03	19	34.2						
	5	0.03	20	36						
	4	0.03	19	34.2						
Ratio	A	B	C	D		Ratio	A	B	C	D

NOTE				Precision Planetary Reducer				TB042	
								TB042-L1	
Mark		No.		Sign		Date			
		DRAW							
		CHEC							
		APPR							
		RULE							
				Shaft Type		Precision			