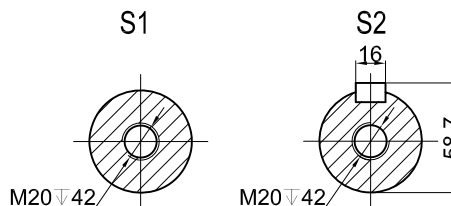
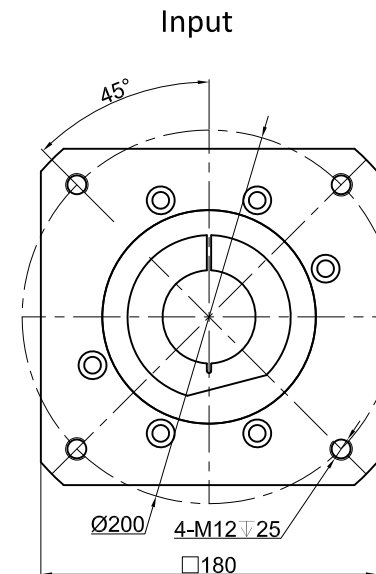
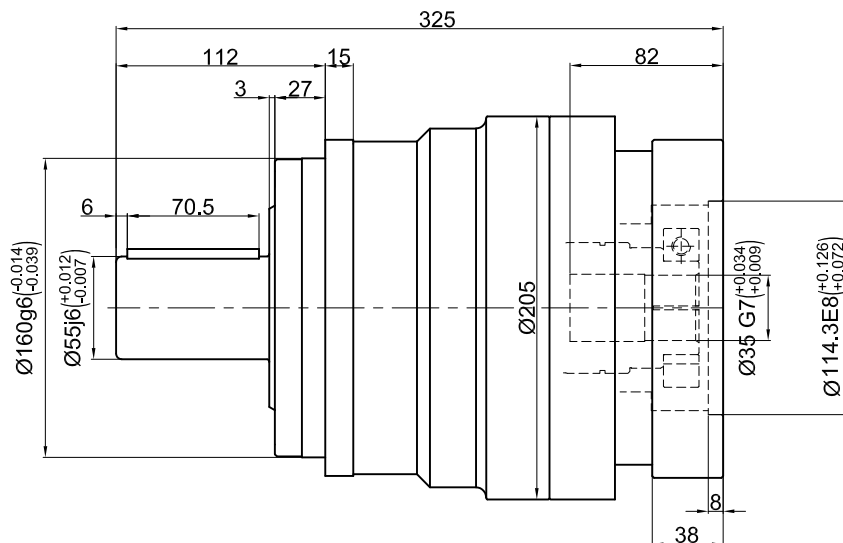
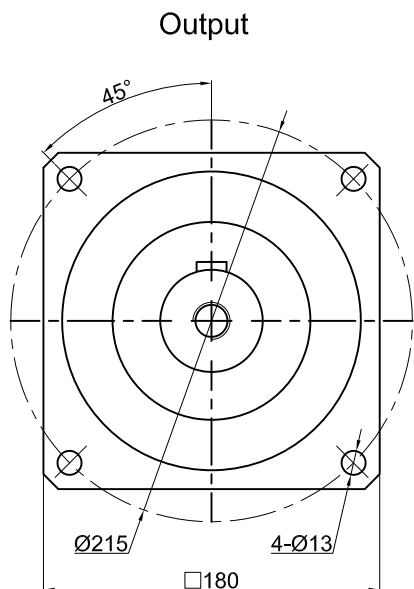


Customer Name:



Transmission ratio	( <u>A</u> ):1	Mass moments of inertia	( <u>B</u> )Kg.cm <sup>2</sup>
Rated output torque	( <u>C</u> )Nm	Max Output torque	( <u>D</u> )Nm
Rated input speed	3000rpm	Max input speed	6000rpm
Max radial force	18000N	Max axial force	19500N
Efficiency	≥ 97%	Operating temperature	-20°~+90°
Mounting position	Any	Lubrication method	Synthetic grease
Weight ±3%	35.5Kg	Service life	30000h
Standard backlash	≤ 5 arcmin	Protection class	IP65
Motor power		Noise level	67dB
Motor dimensions			

	6	22.75	1108	1994.4	Sign/Date					
	5	23.29	1200	2160			10	22.51	910	1638
	4	23.67	1050	1890			8	22.59	1000	1800
	3	28.98	590	1062			7	22.48	1100	1980
Ratio	A	B	C	D		Ratio	A	B	C	D

Note					Precision Planetary Reducer	TF180
	Mark	NO.	Sign	Date		TF180-L1
	DRAW			Shaft Type		Precision
	CHEC					
	APPR					
	RULE					