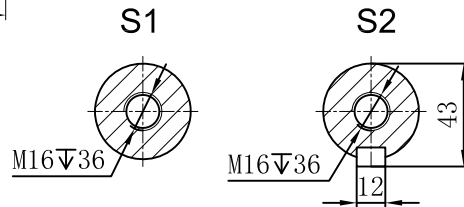
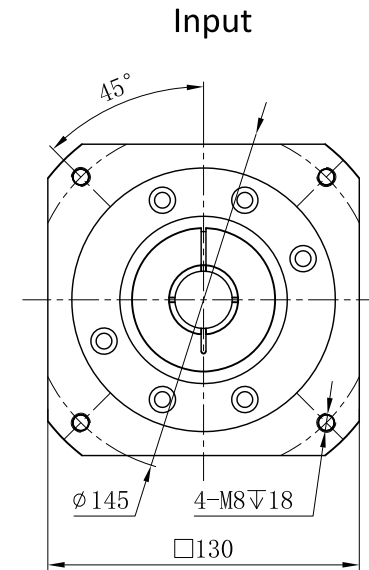
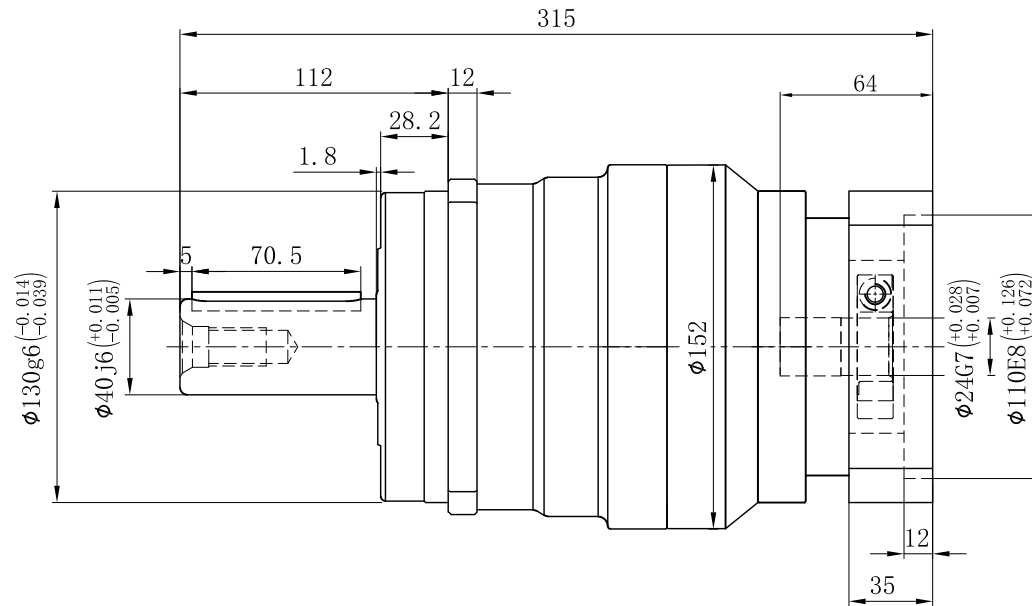
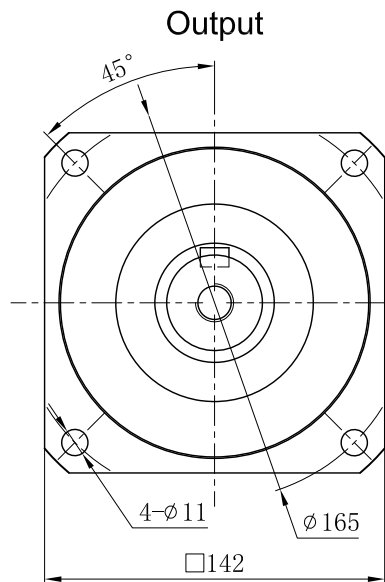


Customer Name:



Transmission Ratio	(A):1	Mass Moments Of Inertia	(B)Kg.cm ²	15	2.71	340	612	Sign/Date	50	2.57	650	1170
Rated Output Torque	(C)Nm	Max Output Torque	(D)Nm	20	2.71	545	981		60	2.57	600	1080
Rated Input Speed	3000rpm	Max Input Speed	6000rpm	25	2.71	650	1170		70	2.57	555	999
Max Radial Force	14000N	Max Axial Force	11400N	30	2.71	600	1080		80	2.57	500	900
Efficiency	≥ 94%	Operating Temperature	-20°~+90°	35	2.71	555	999		100	2.57	460	828
Mounting Position	Any	Lubrication Method	Synthetic grease	40	2.71	500	900		Ratio	A	B	C
Weight ±3%	16.6Kg	Service Life	30000h	Note				Precision Planetary Reducer				TF140
Standard Backlash	≤ 7 arcmin	Protection Class	IP65	Mark	No.	Sign	Date		TF140-L2			
Motor Power	-- KW	Noise Level	65dB		DRAW				Shaft Type	Precision		
Motor Dimensions					CHEC							
					APPR							
					RULE							

Above specifications are for standard reducer and may be subject to change without notice.