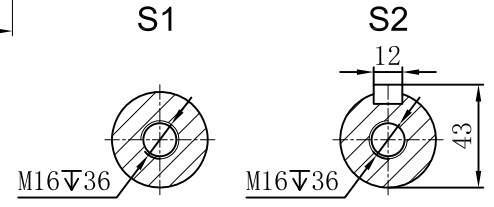
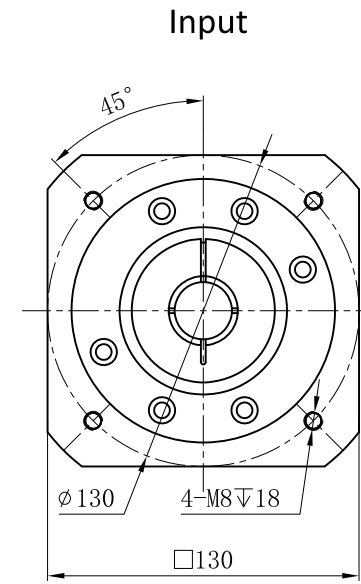
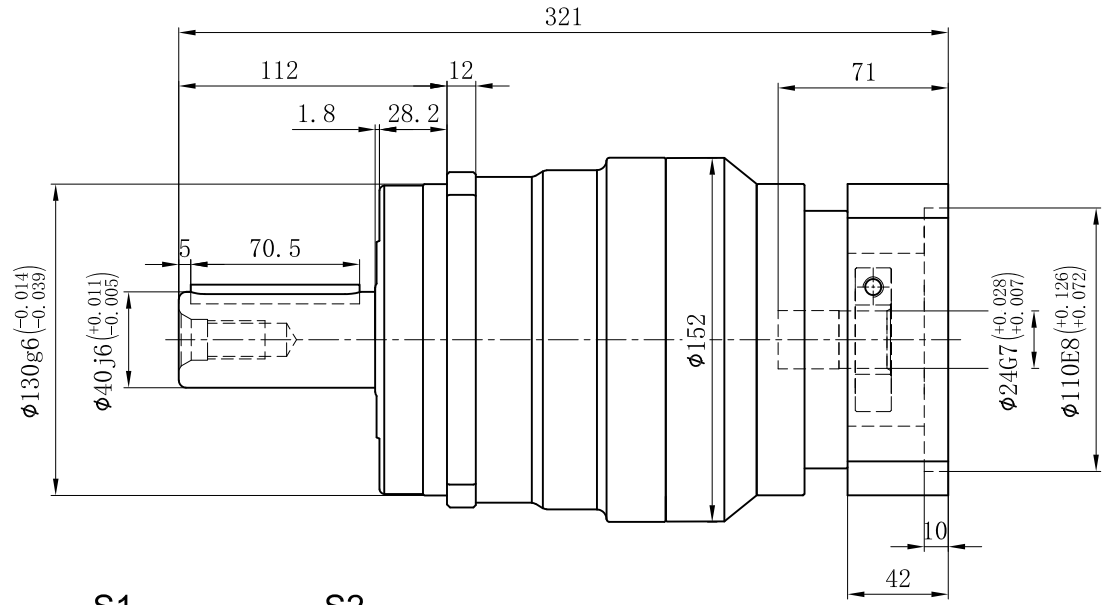
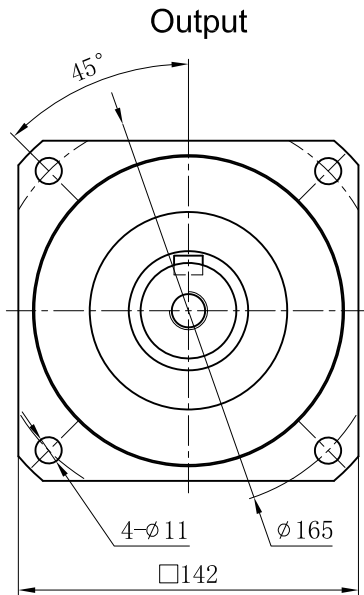


Customer Name:



Transmission Ratio	(<u> A</u>):1	Mass Moments Of Inertia	(<u> B</u>)Kg.cm ²
Rated Output Torque	(<u> C</u>)Nm	Max Output Torque	(<u> D</u>)Nm
Rated Input Speed	3000rpm	Max Input Speed	6000rpm
Max Radial Force	14000N	Max Axial Force	11400N
Efficiency	≥ 94%	Operating Temperature	-20°~+90°
Mounting Position	Any	Lubrication Method	Synthetic grease
Weight ±3%	16.6Kg	Service Life	30000h
Standard Backlash	≤ 7 arcmin	Protection Class	IP65
Motor Power	-- KW	Noise Level	65dB
Motor Dimensions			

	40	2.71	500	900	Sign/Date						
	35	2.71	555	999			100	2.57	460	828	
	30	2.71	600	1080			80	2.57	500	900	
	25	2.71	650	1170			70	2.57	555	999	
	20	2.71	545	981			60	2.57	600	1080	
	15	2.71	340	612		50	2.57	650	1170		
Ratio	A	B	C	D		Ratio	A	B	C	D	
Note						Precision Planetary Reducer	TF140				
Mark	No.	Sign	Date				TF140-L2				
							Shaft Type	Precision			

Above specifications are for standard reducer and may be subject to change without notice.