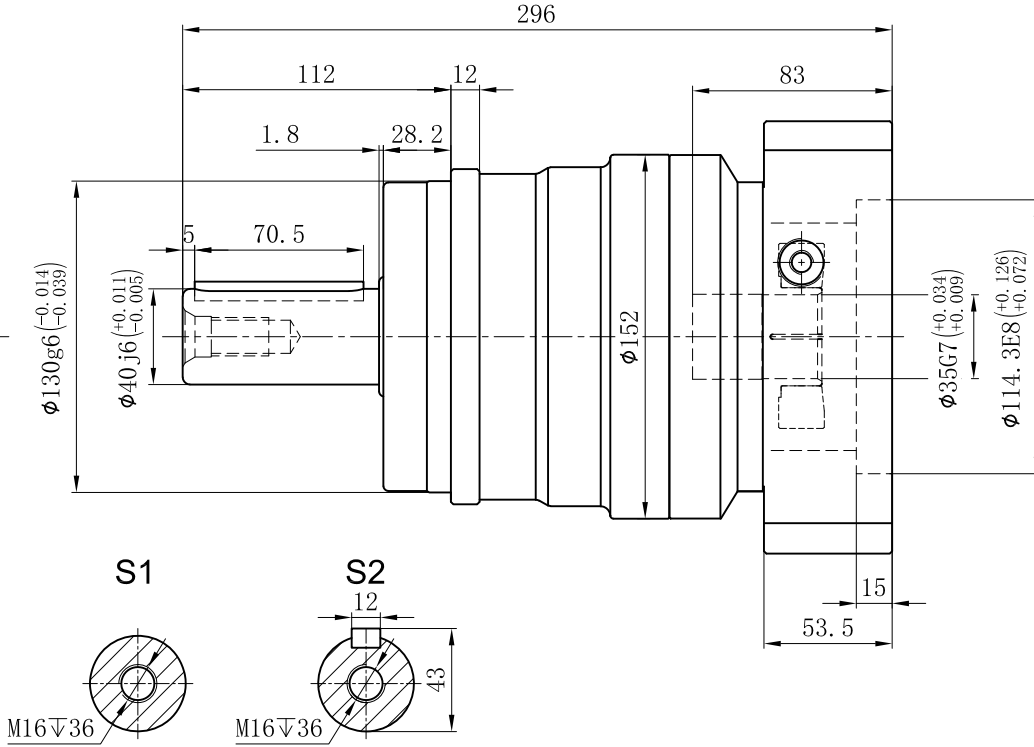
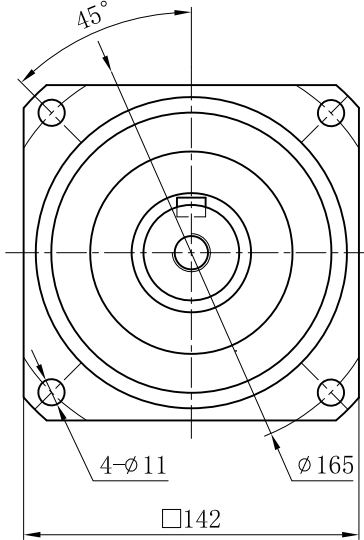
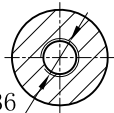


Customer Name:

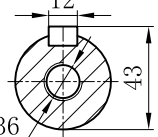
Output



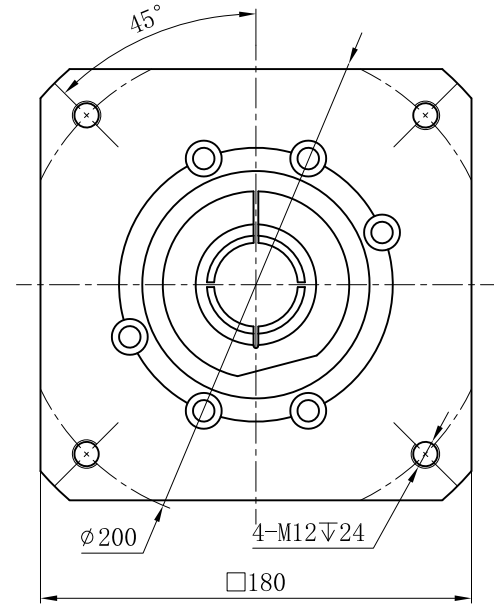
S1



S2

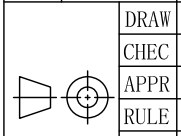


Input



Transmission Ratio	( <u> A</u> ):1	Mass Moments Of Inertia	( <u> B</u> )Kg.cm <sup>2</sup>
Rated Output Torque	( <u> C</u> )Nm	Max Output Torque	( <u> D</u> )Nm
Rated Input Speed	3000rpm	Max Input Speed	6000rpm
Max Radial Force	14000N	Max Axial Force	11400N
Efficiency	≥ 97%	Operating Temperature	-20°~+90°
Mounting Position	Any	Lubrication Method	Synthetic grease
Weight ±3%	18Kg	Service Life	30000h
Standard Backlash	≤ 5 arcmin	Protection Class	IP65
Motor Power	-- KW	Noise Level	65dB
Motor Dimensions			

	6	7.2	600	1080	Sign/Date					
	5	7.4	650	1170			10	7.0	460	828
	4	7.5	545	981			8	7.0	500	900
	3	9.2	340	612			7	7.1	555	999
Ratio	A	B	C	D		Ratio	A	B	C	D
Note										
						Precision Planetary Reducer				TF140
										TF140-L1
										Shaft Type Precision



DRAW  
CHEC  
APPR  
RULE



Above specifications are for standard reducer and may be subject to change without notice.